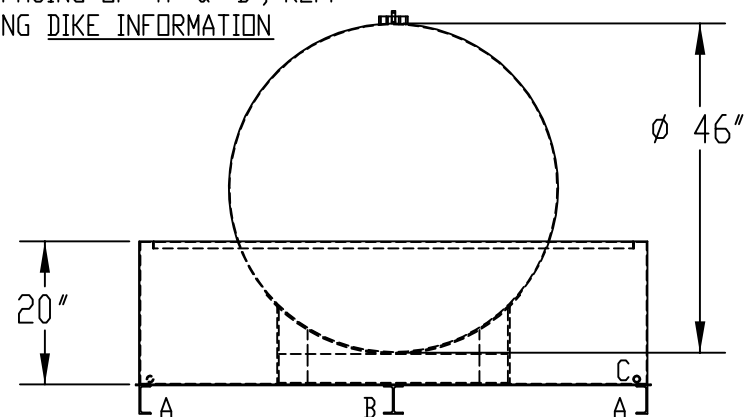
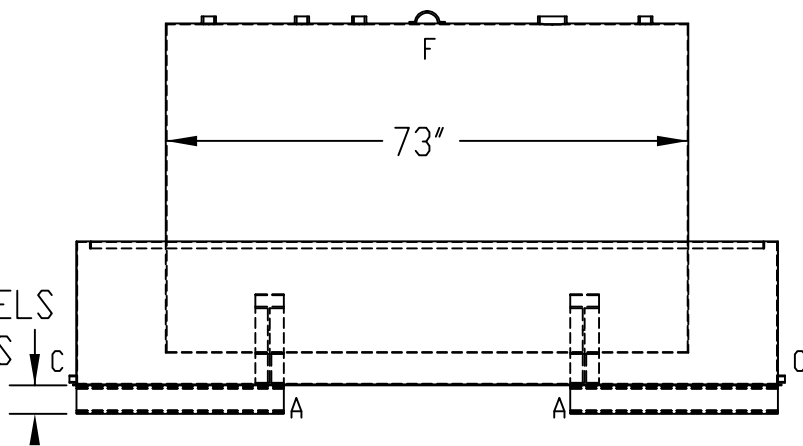


BRIEF LEGEND:

- A-(4) 4" CHANNEL
- B-(2) 4" I-BEAM
- C-(2) 3/4" FNPT FLANGE
- D-(4) 2" FNPT FLANGE
- E-(1) 3" E.VENT FLANGE
- F-(1) LIFTING LUG

FOR FULL CONSTRUCTION DETAILS AND SPACING OF "A" & "B", REF. DRAWING DIKE INFORMATION



REF. TO: STANDARD DIKES
DATE: 06/23/08

DWG BY: AH

TITLE: **SC-525-12P WO RS**

SCALE: 1:16



Underwriters Laboratories Inc.
LISTED ®



1500 HWY 117 S.
GOLDSBORO, NC 27530
P: (919) 734 - 8328
F: (919) 736 - 4550

DESCRIPTION:

SINGLE WALL, STEEL ABOVEGROUND TANK SECURED WITH ANTI-FLOTATION STRAPS IN A STEEL DIKE; A REMOVABLE RAINSHIELD IS OPTIONAL

CONSTRUCTION:

TANK AND DIKE ARE OF WELDED CONSTRUCTION. OPTIONAL RAINSHIELD IS MECHANICALLY ATTACHED TO THE DIKE.

FINISH:

SURFACE PREP. IS SSPC-3; UNDERCOAT IS AN INDUSTRIAL PRIMER AND FINISH COAT IS AN INDUSTRIAL ENAMEL.

CAPACITY:

584 GALLONS

APPROX. WEIGHT: 1,040 lbs ± 5%