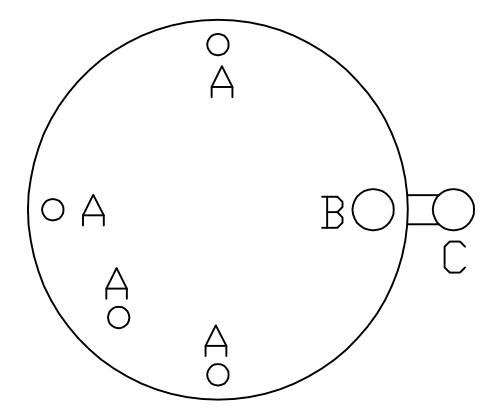
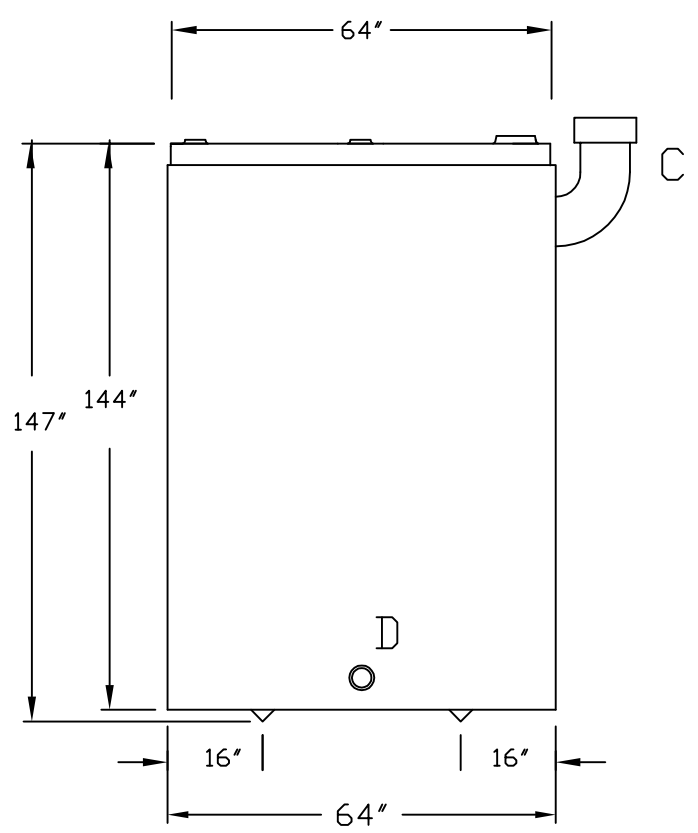


QUAN.	STOCK #	DESCRIPTION	QUAN.	STOCK #	DESCRIPTION	QUAN.	STOCK #	DESCRIPTION	SPECIFICATIONS & CONSTRUCTION INFORMATION
									MODEL: LVDW-2000-7
									DESCRIPTION: ABOVEGROUND, DOUBLE WALL OBROUND STEEL STORAGE TANK
									INNER TANK: 7 GAUGE
									OUTER TANK: 10 GAUGE
									OPENINGS: MINIMUM 4-2" FNPT FLANGE
									1-6" FNPT FLANGE
									1-6" FNPT ELBOW w/plug
									1-3/4" FLANGE
									CONSTRUCTION: WELDED USING UL-142 STANDARDS
									FINISH: SURFACE PREP: SSPC SP-3
									FINISH: RED PRIMER NOTE: FINISH ENAMEL COAT IS OPTIONAL



- LEGEND
- A - OPENINGS FOR FILL, GAUGE, AND NORMAL VENT: 2" FNPT FLANGE
 - B - OPENINGS FOR INNER TANK EMERGENCY VENT: 6" FNPT FLANGE
 - C - OPENING FOR OUTER TANK EMERGENCY VENT: 6" FNPT PIPE ELBOW WITH PLUG
 - D - 3/4" INSPECTION FLANGE FOR INTERSTICE WITH STEEL PLUG

DWG #: LVDW-2000-7	SCALE: NONE	DATE: 12-28-06	REVISION:	APPROVED:	APPROVAL DATE:
--------------------	-------------	----------------	-----------	-----------	----------------

TURNER TANKS: LVDW-2000-7
 GOLDSBORO, NC
 800-661-3767