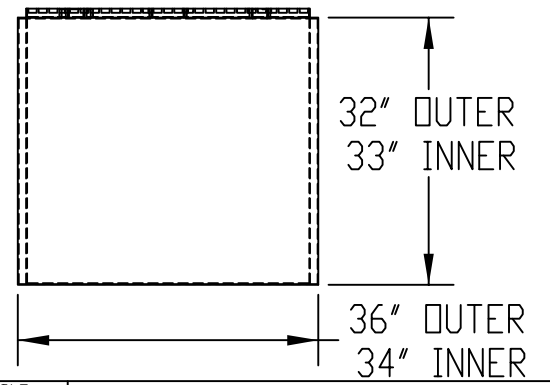
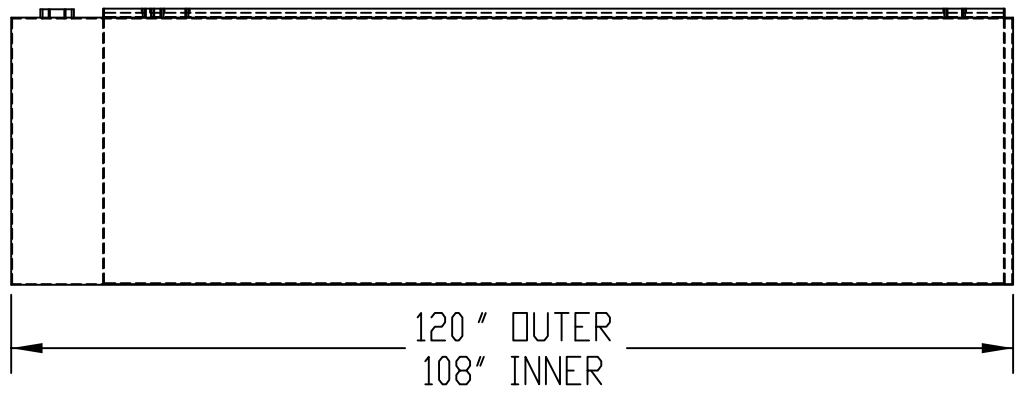
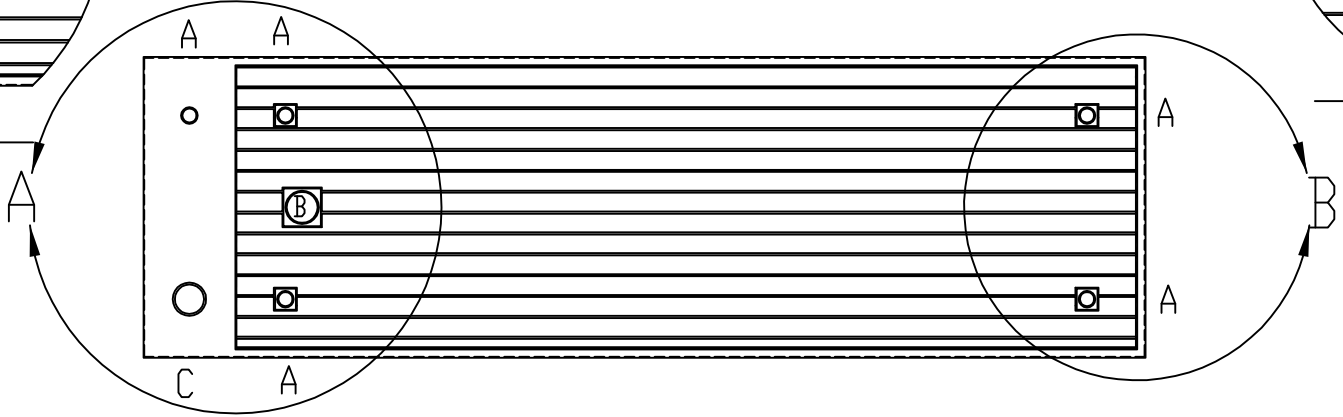
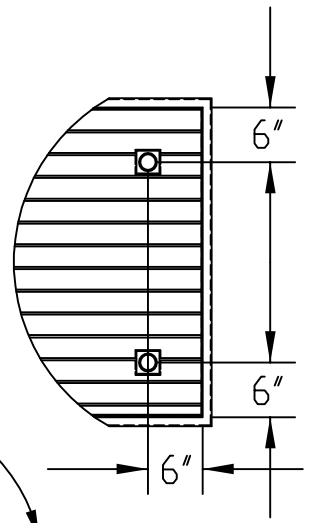


DETAIL A

DETAIL B



TANK IS SHOWN WITH BAR GRATING COVERING TOP OF INNER TANK

FITTING "B" IS ON CENTER AND 8" FROM SIDE OF TANK

DETAILS A & B ARE SCALED UP FOR REFERENCE

DESCRIPTION:	ABOVE GROUND, DOUBLE WALL, STEEL STORAGE TANK 500 GALLONS	REF. TO:	
MATERIAL:	10 GA. INNER/12 GA. OUTER	DATE:	
CONSTRUCTION:	WELDED USING UL-142 STANDARDS	TITLE:	LCWDW 500-10
OPENINGS:	5-2" FNPT FLANGES 1-4" INNER E.VENT FLANGE 1-4" OUTER E.VENT FLANGE	SIZE:	A
FINISH:	SURFACE PREP: SPCC SP-3 ONE SPRAY COAT OF RED PRIMER	LEGEND:	A - 2" FLANGE B - 4" INNER E.VENT FLANGE C - 4" OUTER E.VENT FLANGE
TURNER TANKS: GOLDSBORO, NC (919) 734 - 8328		SCALE: 1:32	APPROVAL: