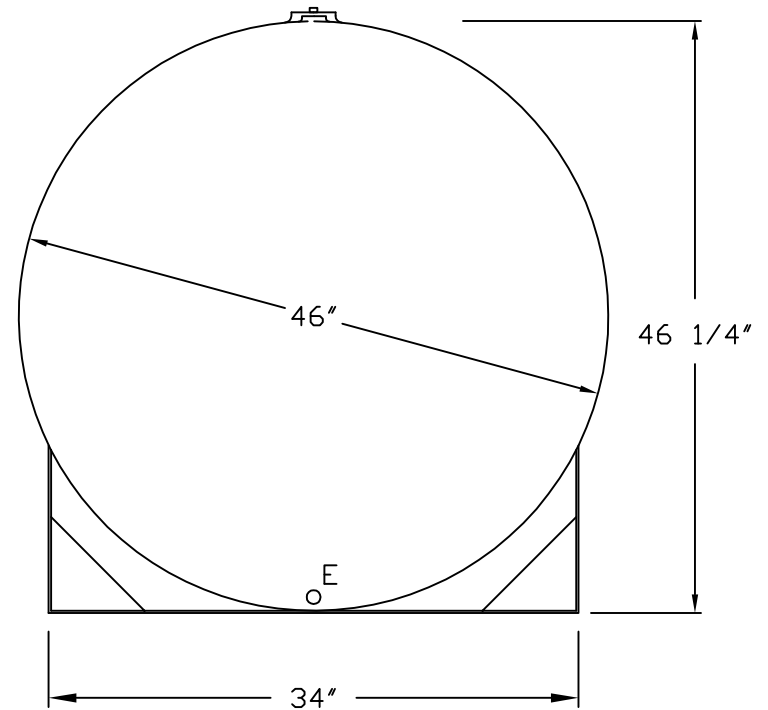
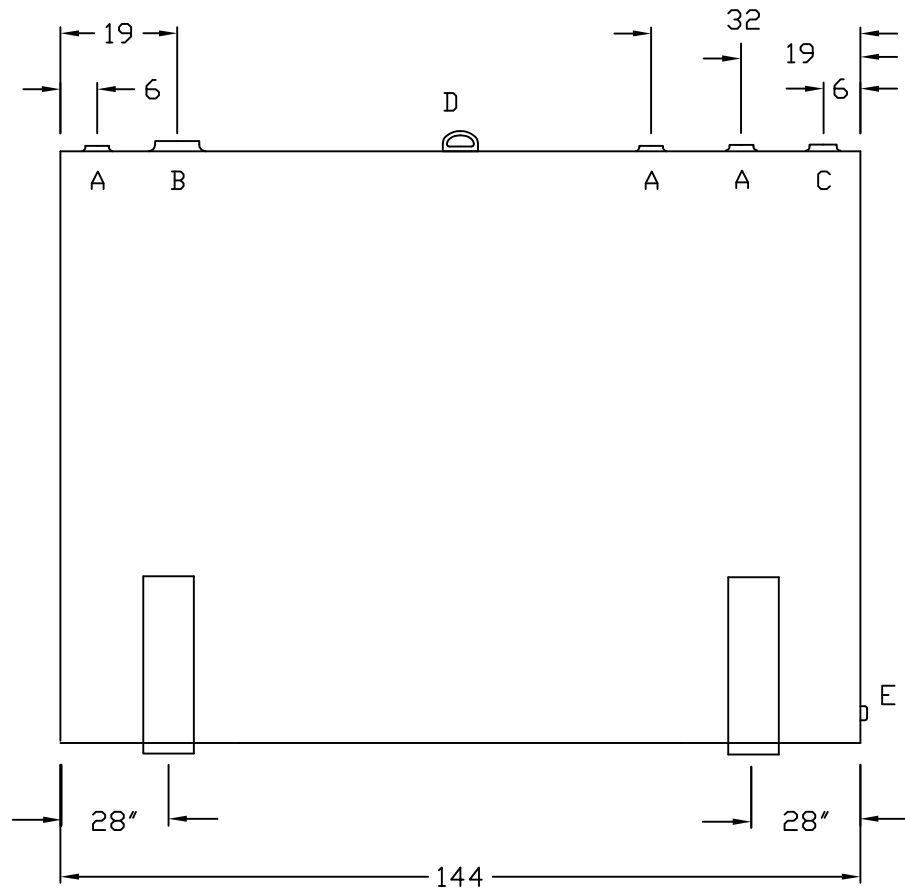


QUAN.	STOCK #	DESCRIPTION	QUAN.	STOCK #	DESCRIPTION	QUAN.	STOCK #	DESCRIPTION	SPECIFICATIONS & CONSTRUCTION INFORMATION
									MODEL: AU-100046-10 UTILITY TANK DESCRIPTION: ABOVEGROUND, SINGLE WALL STEEL STORAGE TANK TANK: 10 GA. OPENINGS: MINIMUM 3-2" FNPT FLANGE 1-4" FNPT FLANGE 1-6" FNPT FLANGE FOR EMERGENCY VENT 1-1-1/2" OUTLET W/ STEEL PLUG CONSTRUCTION: PER UL-142 STANDARDS FINISH: SURFACE PREP: SPCC SP-3 ONE SPRAY COAT OF RED PRIMER FINISH ENAMEL COAT IS OPTIONAL



LEGEND

- A - 2" FNPT FLANGE FOR FILL, GAUGE, AND NORMAL VENT
- B - 6" FNPT FLANGE FOR EMERGENCY VENTING
- C - 4" FNPT FLANGE FOR FILL
- D - LIFTING LUG
- E - 1-1/2" FNPT FLANGE W/ STEEL PLUG

GOLDSBORO, NC
1-919-734-8328

TURNER TANKS AU-100046-10

DWG #: AU-100046-10	SCALE: NONE	DATE: 12/18/06	REVISION:	APPROVED:	APPROVAL DATE:
---------------------	-------------	----------------	-----------	-----------	----------------