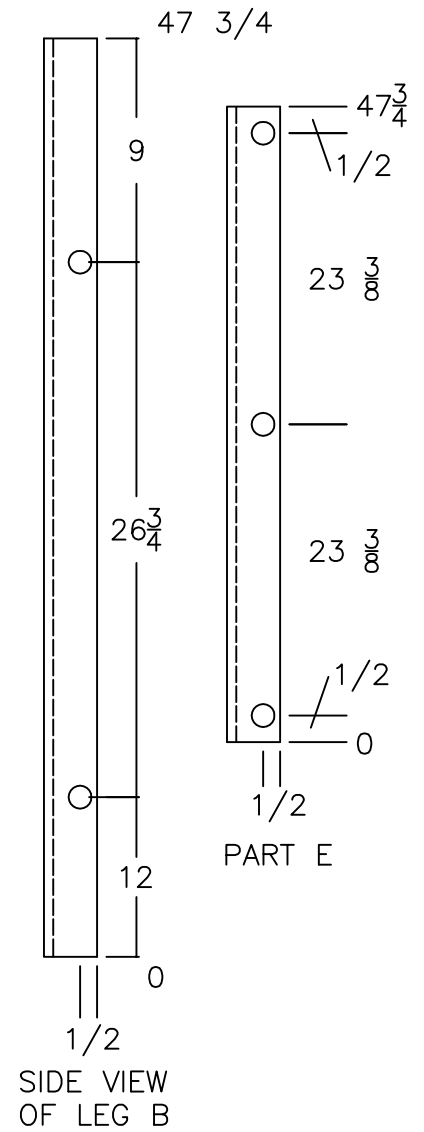
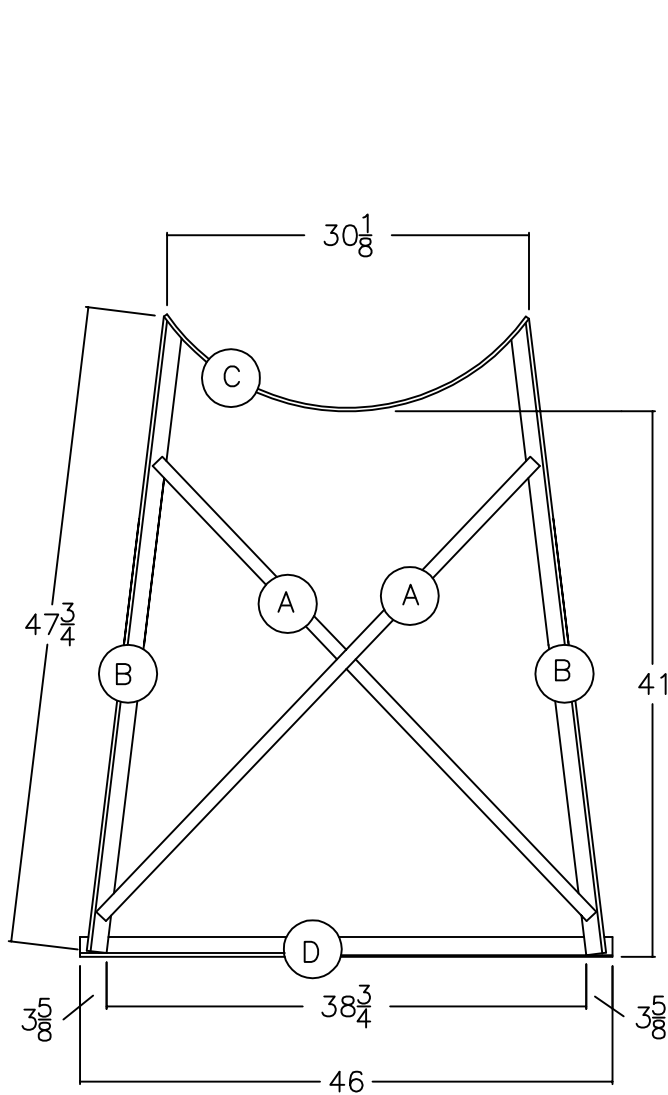


280 GALLON ROUND TANK STAND 36X42

ALL HOLES 9/32" DIAMETER
DIMENSIONS IN INCHES



END FRAME IS WELDED ASSEMBLY

ITEM	QUAN	DESCRIPTION
A	2	1/8 X 1 X 47 3/4 FLAT BAR
B	2	1/8 X 1 1/2 X 1 1/2 X 47 3/4 ANGLE
C	1	1/8 X 1 X 35 FLAT BAR
D	1	1/8 X 1 1/2 X 1 1/2 X 46 ANGLE
E	2	1/8 X 1 X 1 X 47 3/4 ANGLE