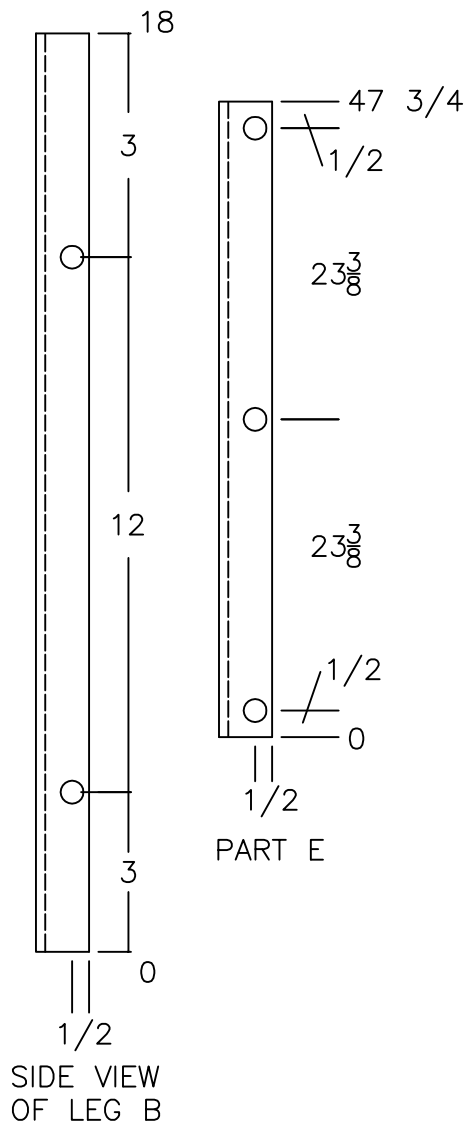
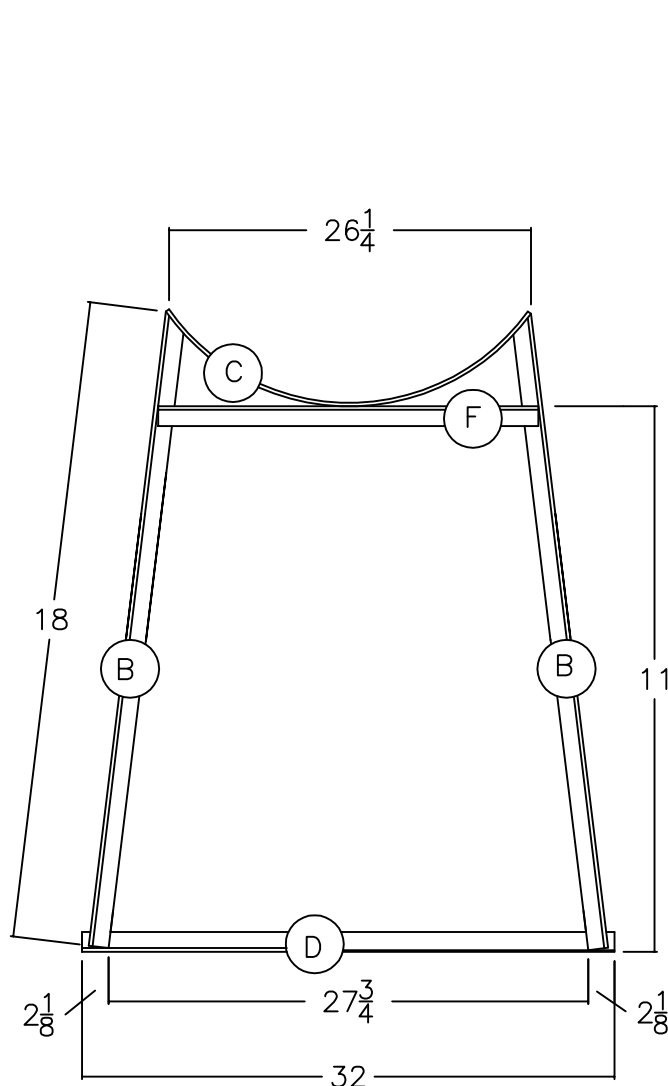


280 GALLON ROUND TANK STAND 36X14

ALL HOLES 9/32" DIAMETER
DIMENSIONS IN INCHES



END FRAME IS WELDED ASSEMBLY

ITEM	QUAN	DESCRIPTION
A	4	1/8 X 1 1/2 X 1 1/2 X 25 1/4 ANGLE
B	4	1/8 X 1 1/2 X 1 1/2 X 18 ANGLE
C	2	1/8 X 1 X 28 FLAT BAR
D	2	1/8 X 1 1/2 X 1 1/2 X 32 ANGLE
E	4	1/8 X 1 X 1 X 47 3/4 ANGLE
F	2	1/8 X 1 X 1 X 26 1/4 ANGLE