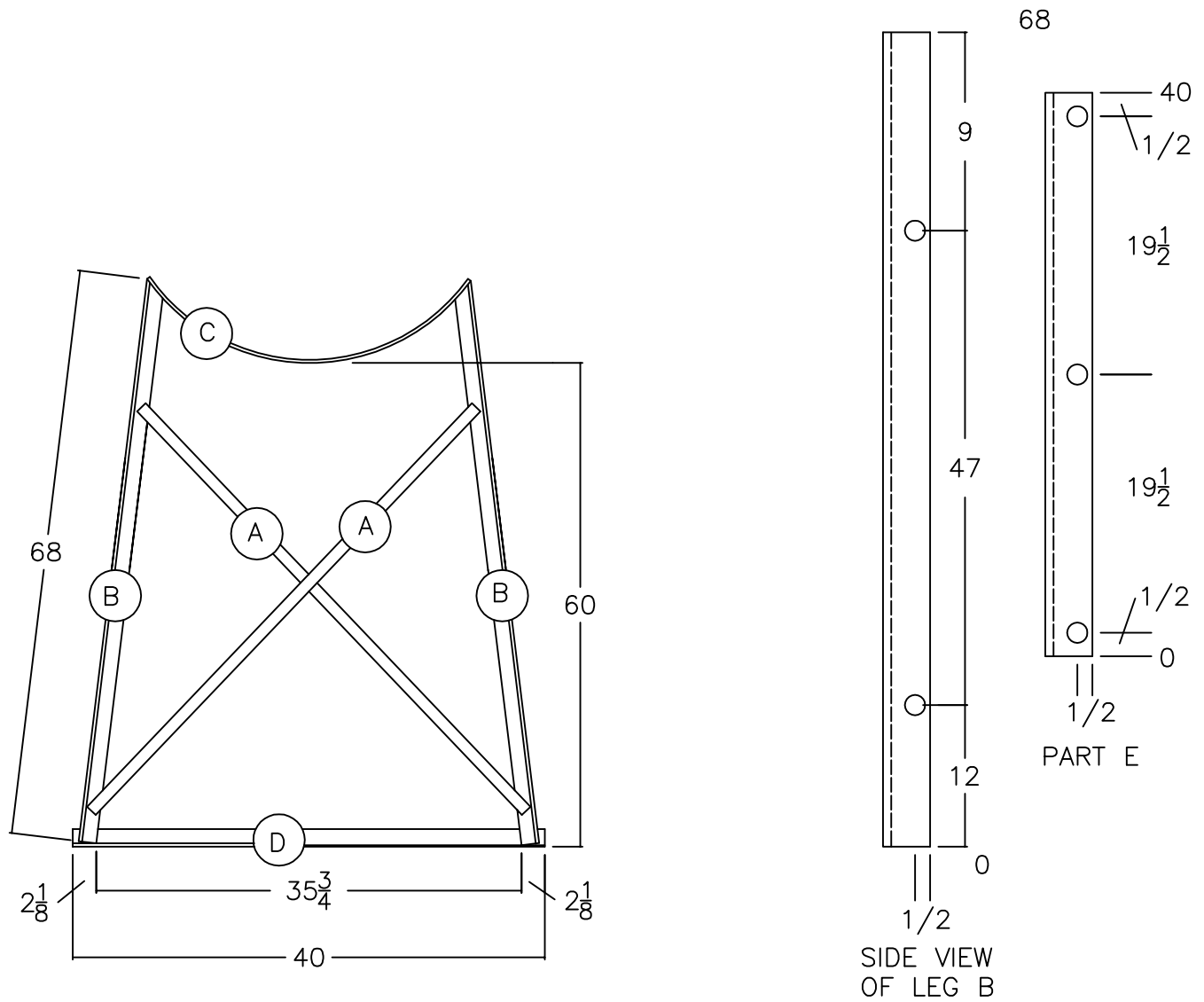


150 GALLON ROUND TANK STAND 30X60

ALL HOLES $9/32$ " DIAMETER
DIMENSIONS IN INCHES



END FRAME IS WELDED ASSEMBLY

ITEM QUAN DESCRIPTION

A	4	1/8 X 1 X 61 FLAT BAR
B	4	1/8 X 1 1/2 X 1 1/2 X 68 ANGLE
C	2	1/8 X 1 X 30 FLAT BAR
D	2	1/8 X 1 1/2 X 1 1/2 X 40 ANGLE
E	4	1/8 X 1 X 1 X 40 ANGLE