



Standard Fittings and Locations for UL-142 listed Turner tanks

Table of Contents:

Single Wall

Horizontal Tanks

	<u>Page</u>
150 gallon	2
270 gallon	2
525 gallon	2
1000 gallon	2
275 gallon obround	4
330 gallon obround	4

Vertical Tanks

150 gallon	6
260, 270, 380 gallon	6
500, 525 gallon	6
1000 gallon	6
275 gallon obround	5
330 gallon obround	5

Lube Tanks

Bench

165 gallon	8
225 gallon	8
250 gallon	8
275 gallon	8
340 gallon	8
495 gallon	8

Pit

250 gallon	10
500 gallon	10
750 gallon	10
1000 gallon	10

Catwalk

500	12
1000	12

Double Wall

Horizontal Tanks

	<u>Page</u>
150 gallon	3
270 gallon	3
525 gallon	3
1000 gallon	3
275 gallon obround	4
330 gallon obround	4

Vertical Tanks

150 gallon	7
260, 270, 380 gallon	7
500, 525 gallon	7
1000 gallon	7
275 gallon obround	5
330 gallon obround	5

Lube Tanks

Bench

165 gallon	9
225 gallon	9
250 gallon	9
275 gallon	9
340 gallon	9
495 gallon	9

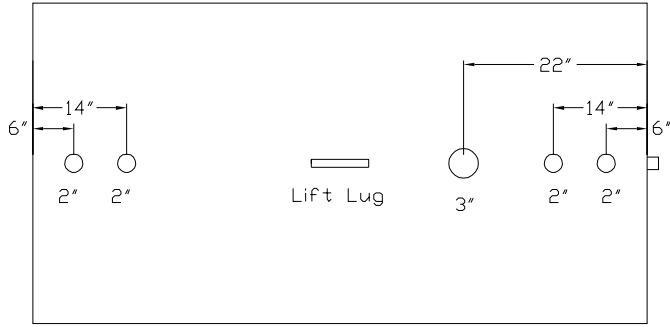
Pit

250 gallon	11
500 gallon	11
750 gallon	11
1000 gallon	11

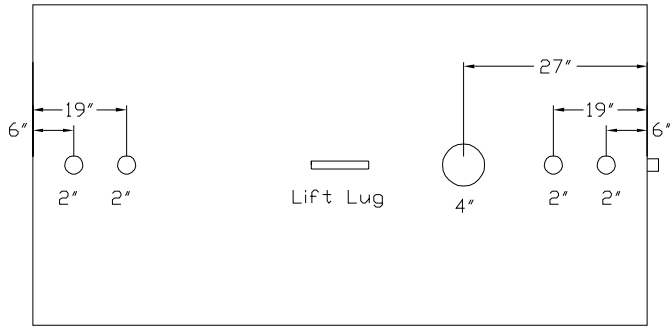
Catwalk

500	12
1000	12

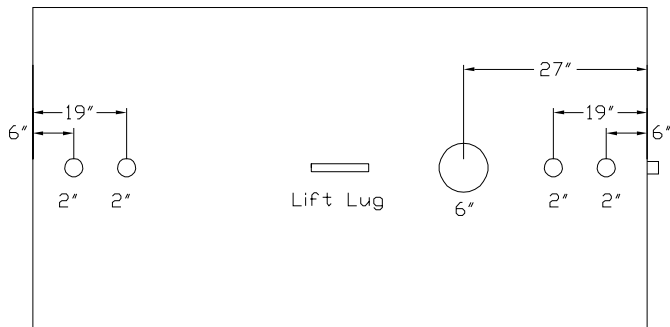
Standard Fittings and Locations for UL-142 listed Turner tanks
Single Wall Horizontal, 150-1000 gallons
(AH, AU, ST, AS, SK Series)



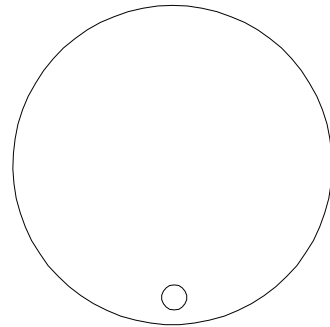
150, 270
Gallons



525
Gallons



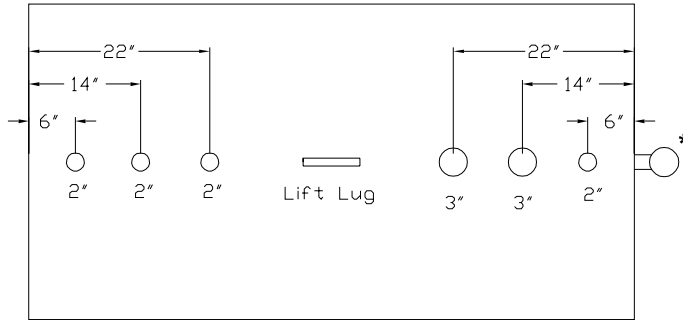
1000
Gallons



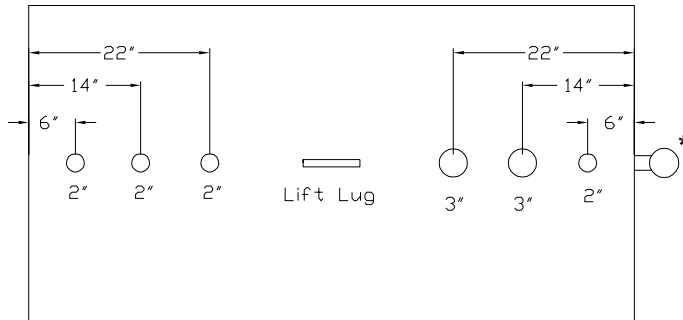
3/4"
Outlet Located
1" From Bottom To
Center of Outlet
(All Models)

Not drawn to scale

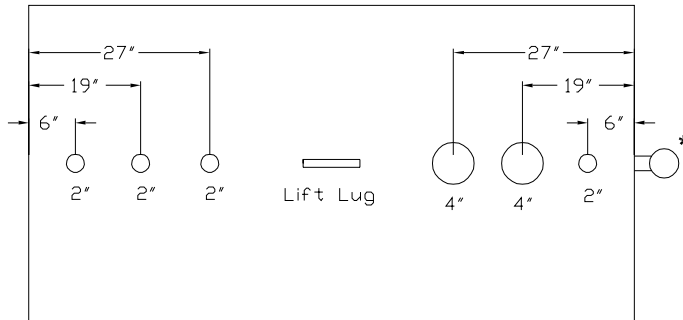
Standard Fittings and Locations for UL-142 listed Turner tanks
Double Wall Horizontal, 150-1000 gallons
(AHDW, AUDW, STDW, ASDW, SKDW Series)



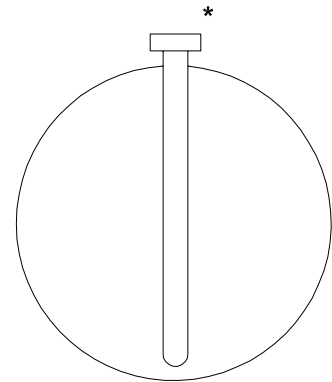
150
Gallons



270, 300
Gallons

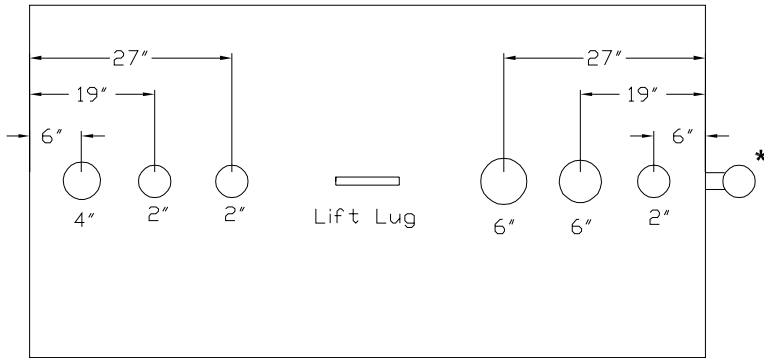


500, 525, 550
Gallons

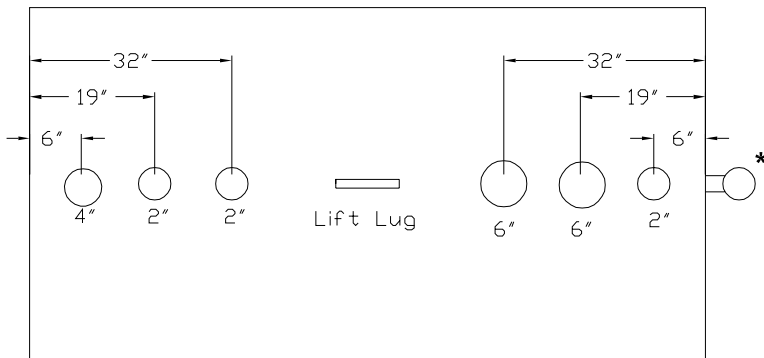


Not drawn to scale. *All inspection ports are 2" pipe with plug installed.

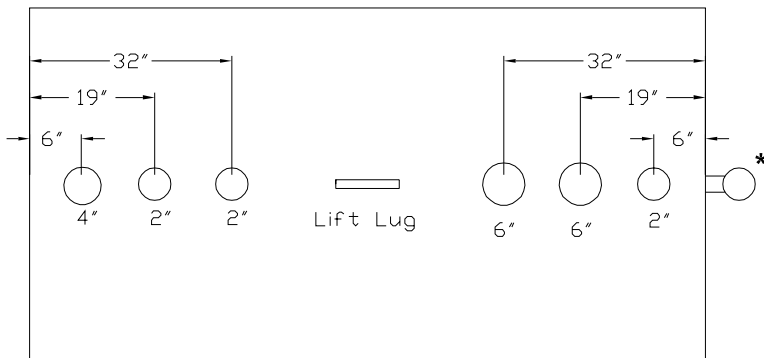
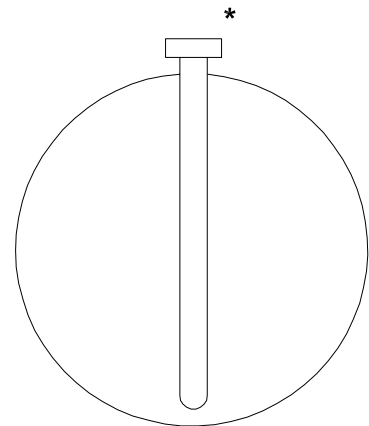
Standard Fittings and Locations for UL-142 listed Turner tanks
Double Wall Vertical 1000 gallons
(AHDW Series)



1000 64" DIA.
Gallons



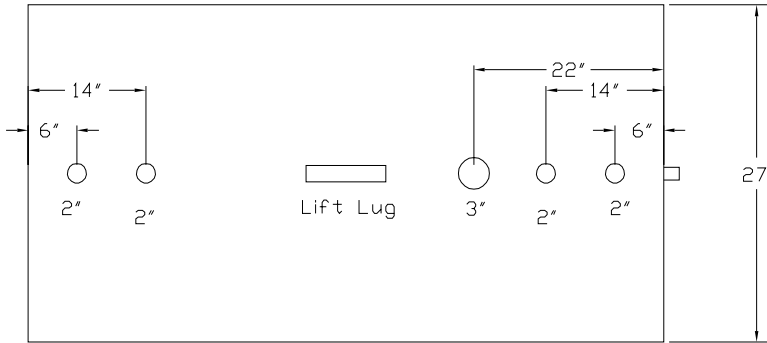
1000 46" DIA.
Gallons



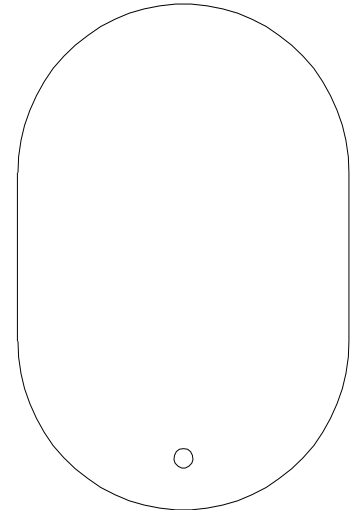
1500 And Above 64" DIA.
Gallons

Not drawn to scale. *All inspection ports are 2" pipe with plug installed.

Standard Fittings and Locations for UL-142 listed Turner tanks
Obround Single Wall Vertical 275, 330 gallons
(AB Series)

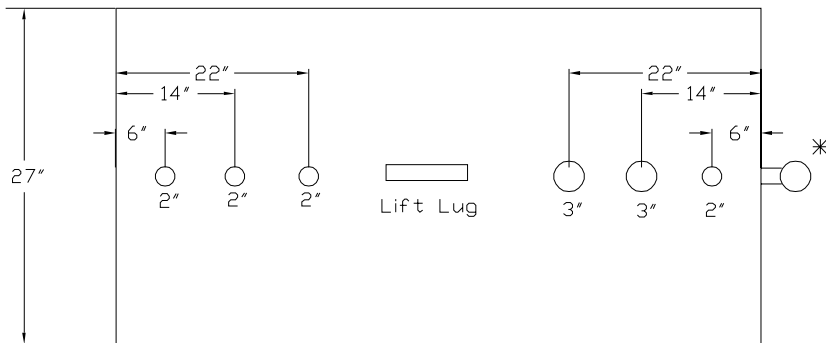


275, 330
Gallons

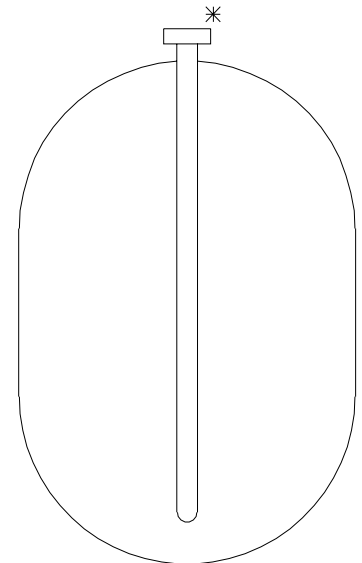


3/4"
Outlet Located
1" From Bottom To
Center Of Outlet

Standard Fittings and Locations for UL-142 listed Turner tanks
Obround Double Wall Vertical 275, 330 gallons
(ABDW Series)

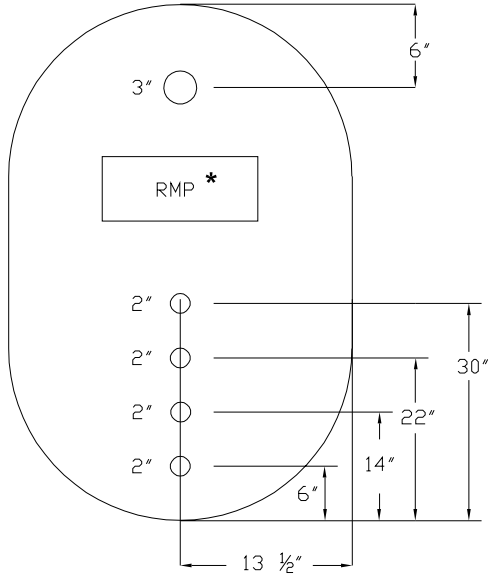


275, 330
Gallons



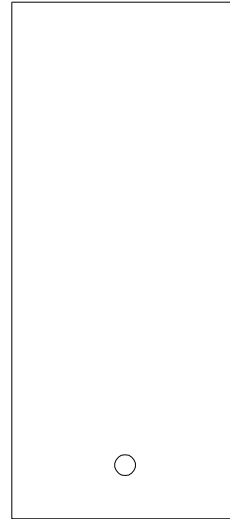
Not drawn to scale. *All inspection ports are 2" pipe with plug installed.

Standard Fittings and Locations for UL-142 listed Turner tanks
Obround Vertical 275, 330 gallons
(LV Series)



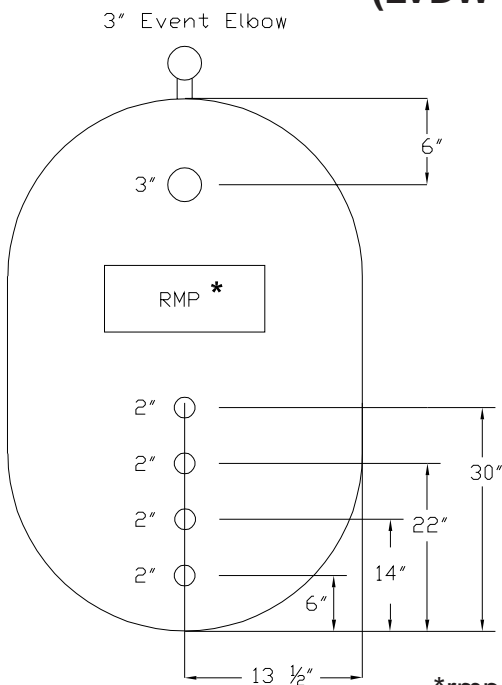
275, 330
Gallons

*rmp optional



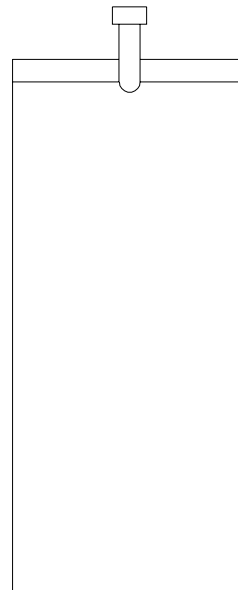
3/4" Outlet
Located 1" From Bottom
Of Tank To Center
Of Outlet

Standard Fittings and Locations for UL-142 listed Turner tanks
Obround Double Wall Vertical 275, 330 gallons
(LVDW Series)



275, 330
Gallons

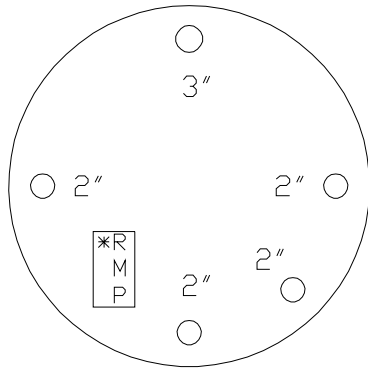
*rmp optional



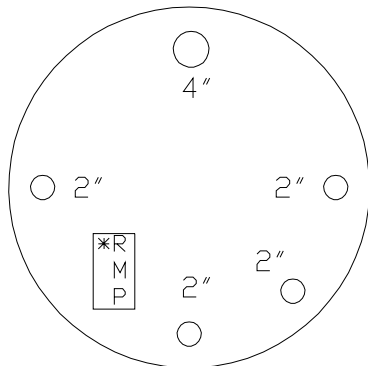
Not drawn to scale

Standard Fittings and Locations for UL-142 listed Turner tanks
Vertical Single Wall 150, 270, 525, 1000 gallons
(LV Series)

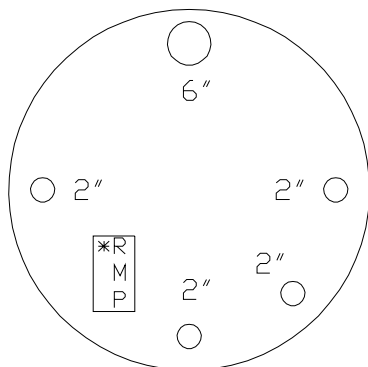
All fittings on top on are on a 6" on center offset from outer dimension



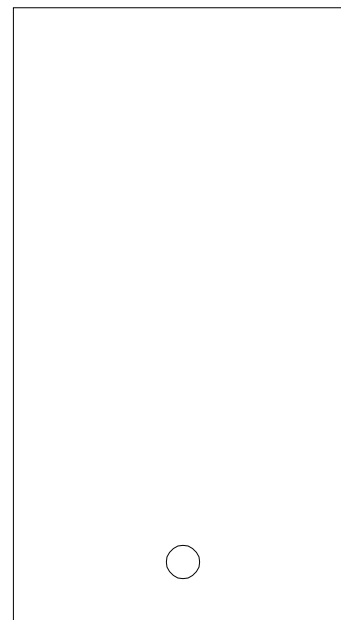
150, 270
Gallons



525
Gallons



1000
Gallons

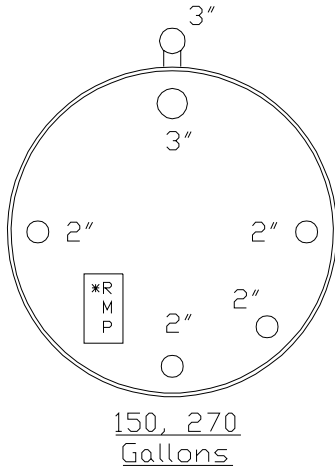


1 1/2" Outlet
Located 1" From Bottom
Of Tank To Center
Of Outlet

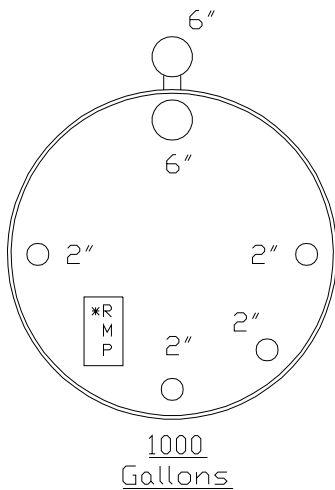
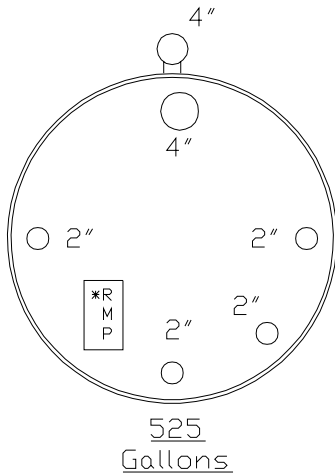
*rmp optional

Standard Fittings and Locations for UL-142 listed Turner tanks
Vertical Double Wall 150, 207, 525, 1000 gallons
(LVDW Series)

All fittings on top on are on a 6" on center offset from outer dimension

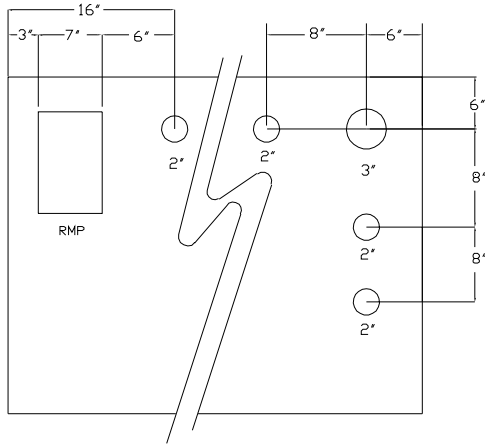


*rmp optional

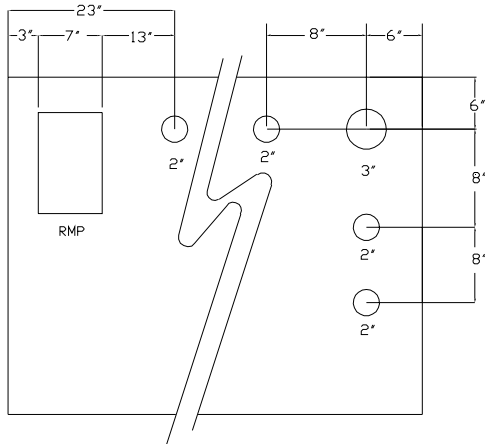


Not drawn to scale

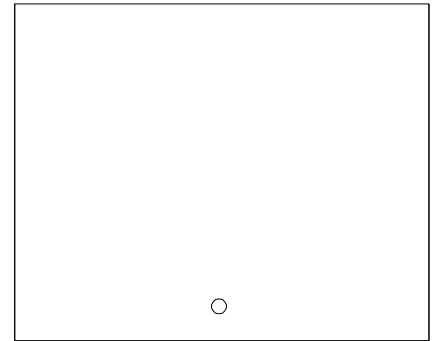
Standard Fittings and Locations for UL-142 listed Turner tanks Bench Single Wall 165, 225, 250, 275, 340, 495 gallons



165
Gallons

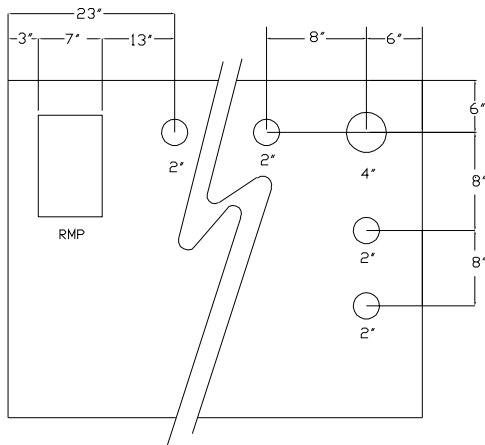


225, 250, 275, 340
Gallons



(All Models)

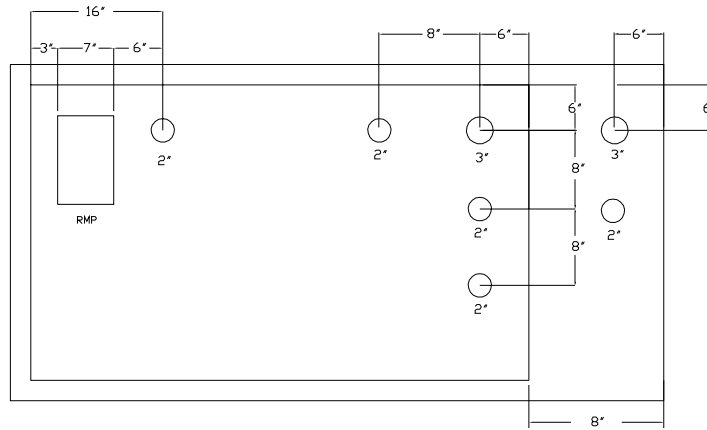
1 1/2" Outlet
Located 1" From Bottom
Of Tank To Center
Of Outlet



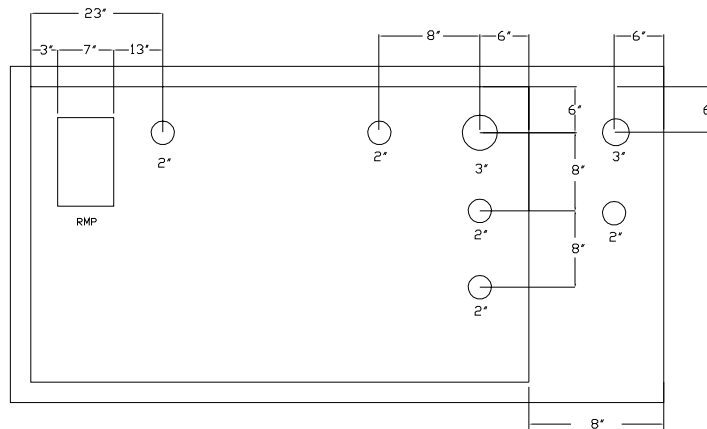
495
Gallons

Not drawn to scale

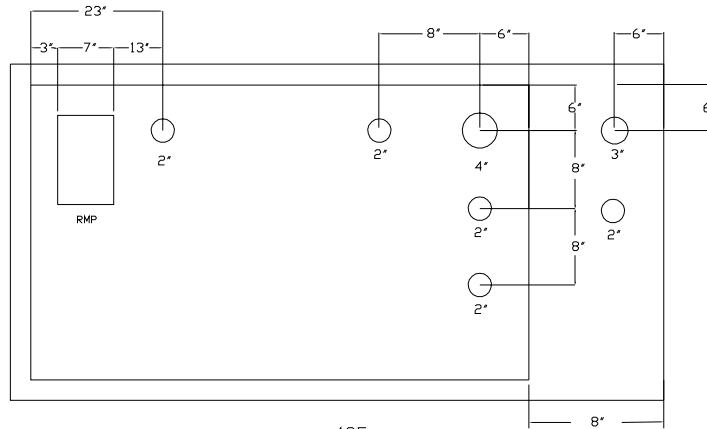
Standard Fittings and Locations for UL-142 listed Turner tanks
Bench Double Wall 165, 225, 250, 275, 340, 495 gallons
(LBDW Series)



165
Gallons



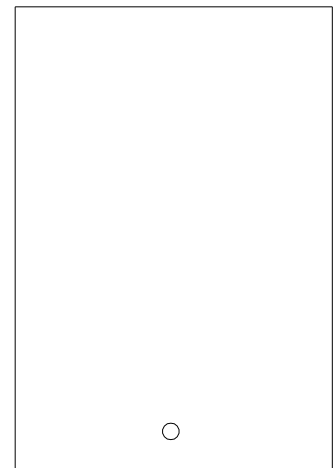
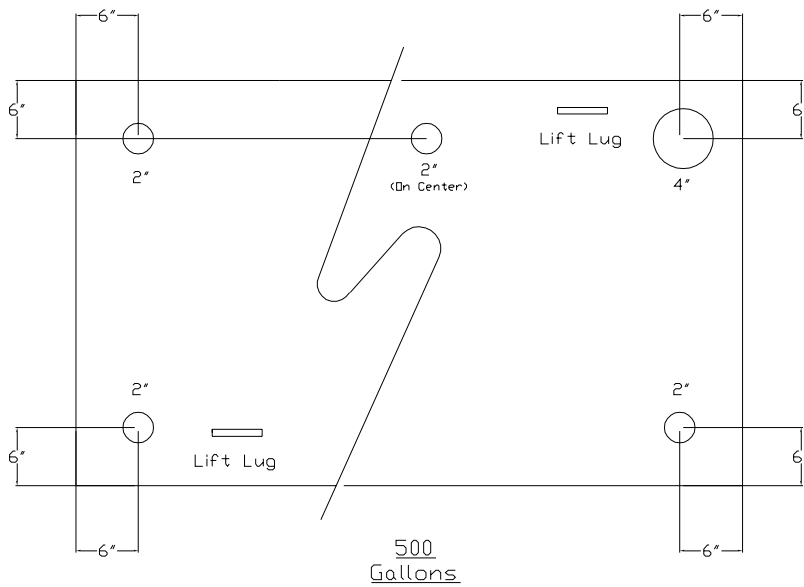
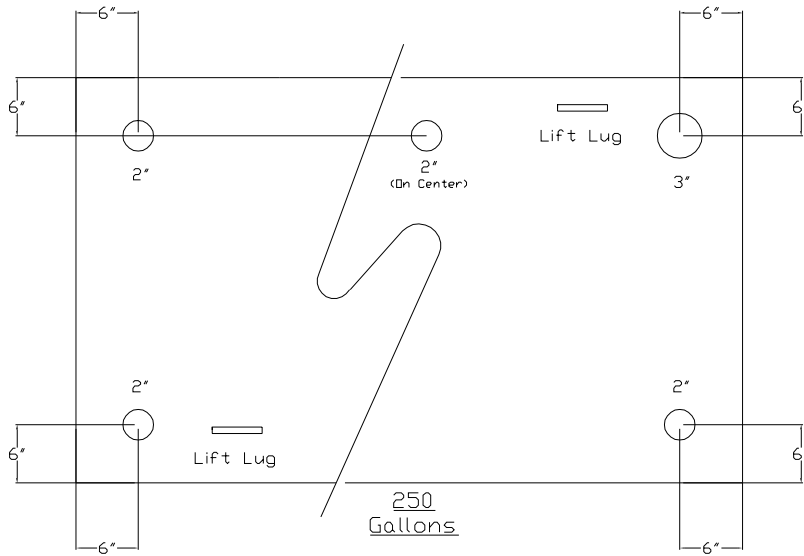
225, 250, 275, 340
Gallons



495
Gallons

Not drawn to scale

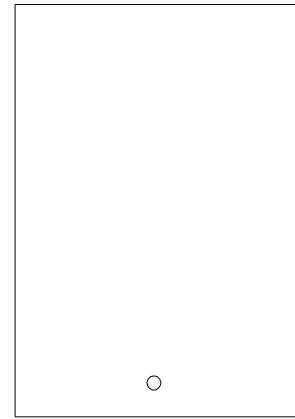
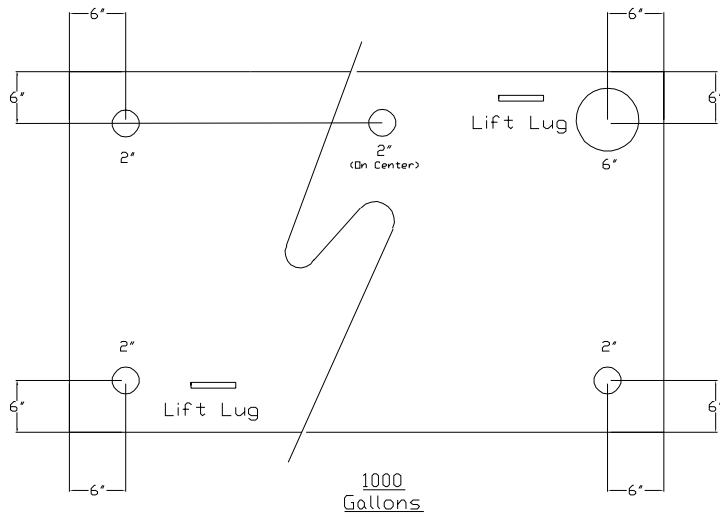
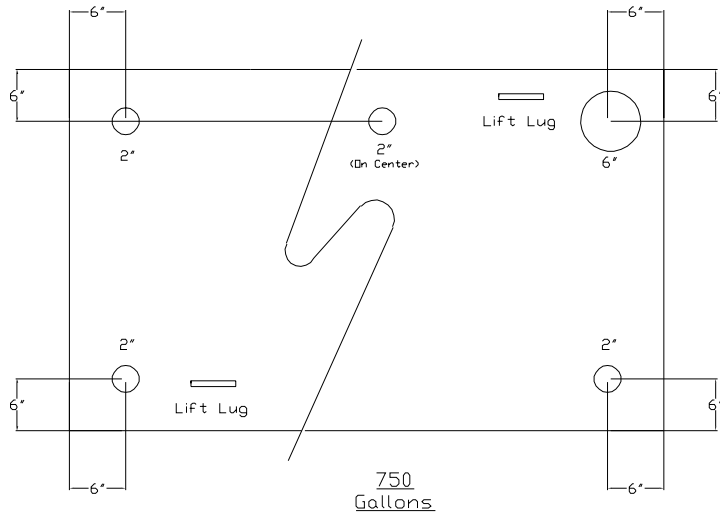
Standard Fittings and Locations for UL-142 listed Turner tanks
Pit Tanks single wall 250 and 500 gallons
(PLT Series)



1 1/2" Outlet
Located 1" From Bottom
Of Tank To Center
Of Outlet

Not drawn to scale

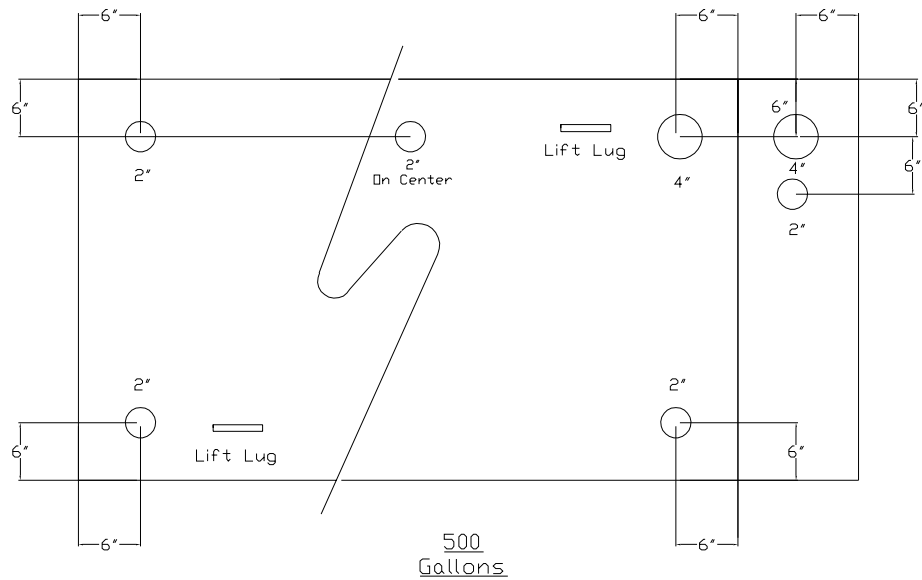
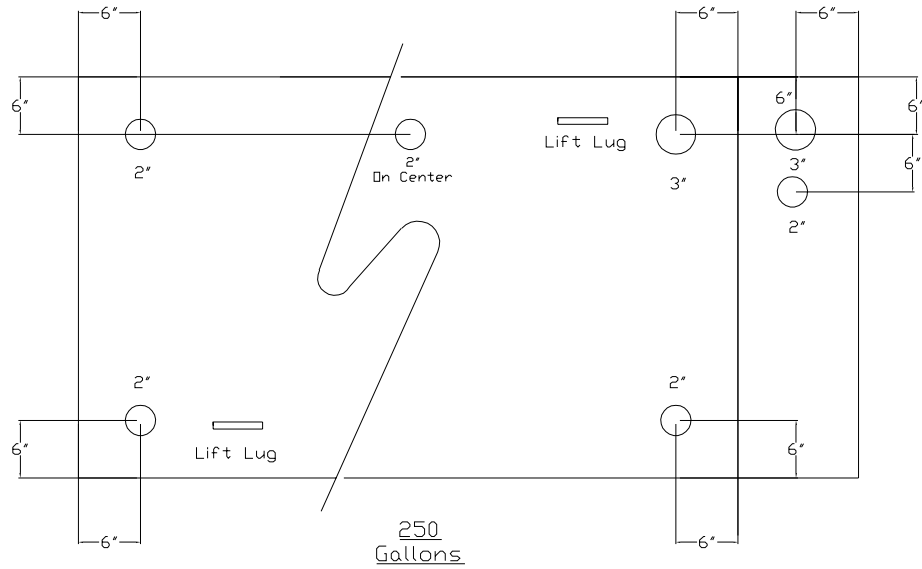
Standard Fittings and Locations for UL-142 listed Turner tanks
Pit Tanks single wall 750 and 1000 gallons
(PLT Series)



1 1/2" Outlet
 Located 1" From Bottom
 of Tank To Center
 of Outlet

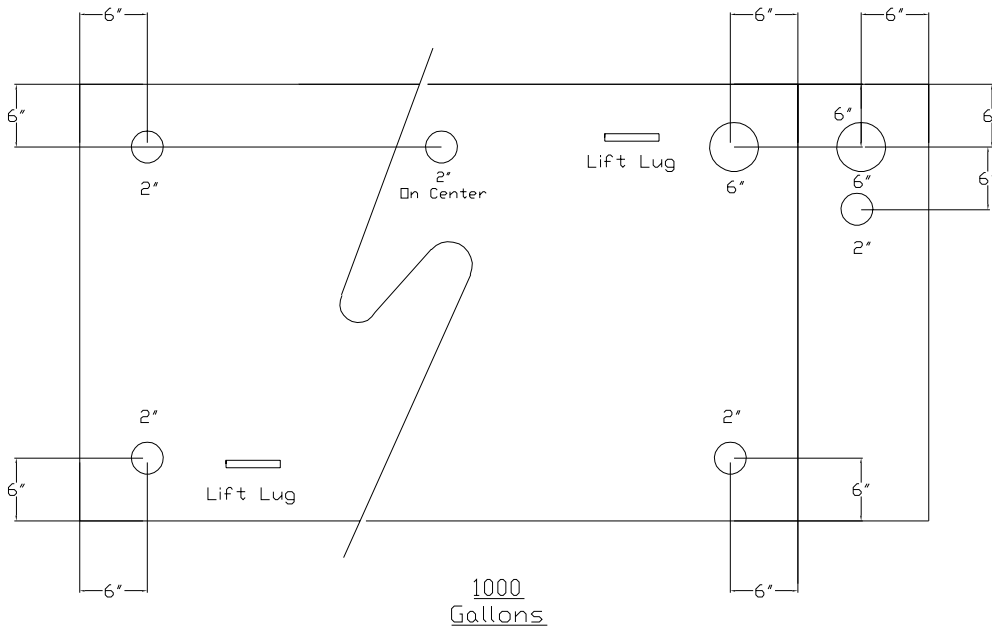
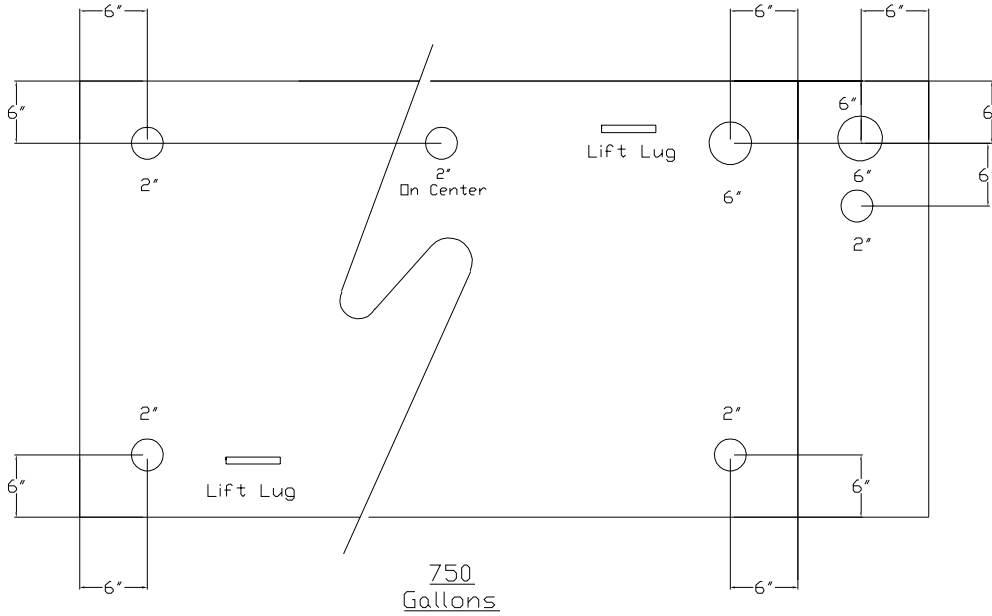
Not drawn to scale

Standard Fittings and Locations for UL-142 listed Turner tanks
Pit Tanks double wall 250 and 500 gallons
(PLTDW Series)



Not drawn to scale

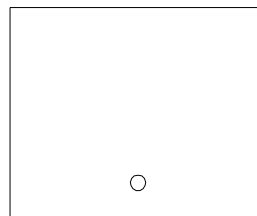
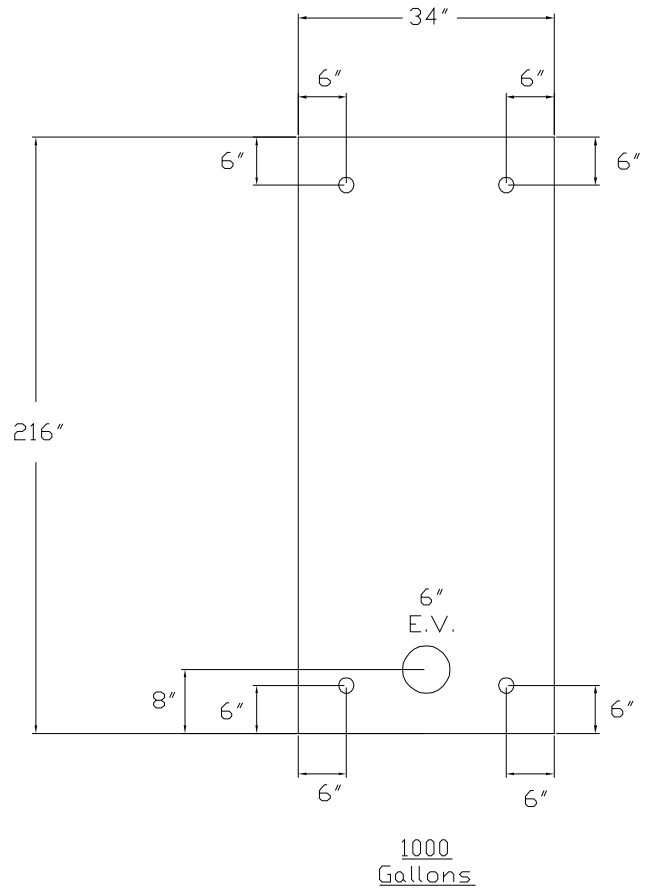
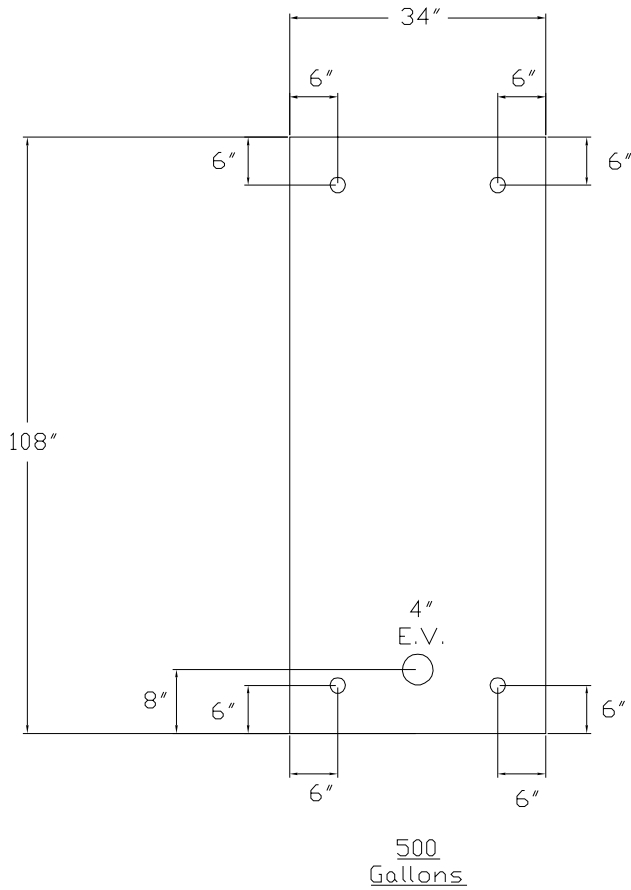
Standard Fittings and Locations for UL-142 listed Turner tanks
Pit Tanks double wall 750 and 1000 gallons
(PLTDW Series)



Not drawn to scale

Standard Fittings and Locations for UL-142 listed Turner tanks
Catwalk tank single wall 500 and 1000 gallons
(LCW Series)

All fittings are 2" openings except emergency vents which are listed

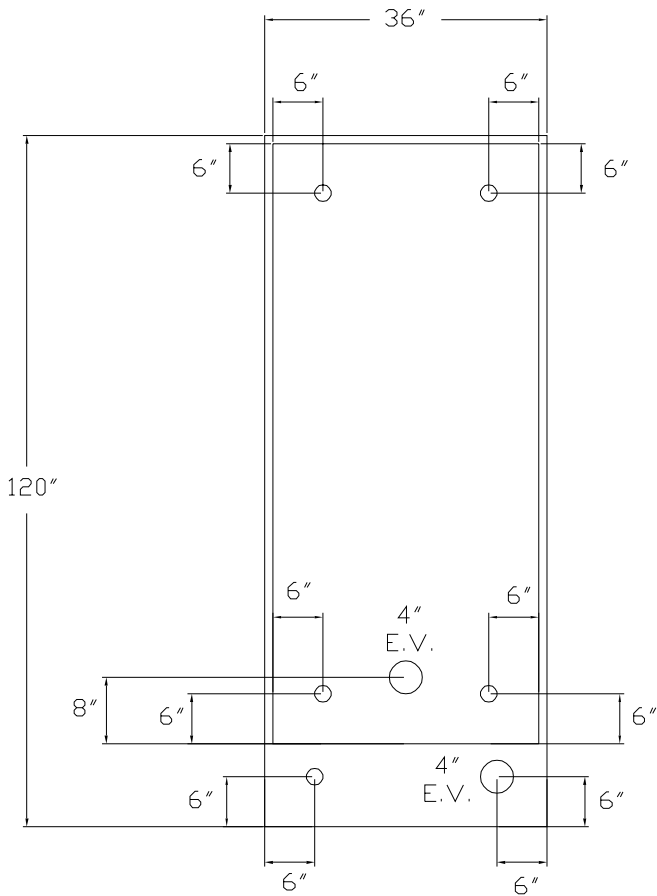


1 1/2" Outlet
 Located 1" From Bottom
 of Tank To Center
 of Outlet

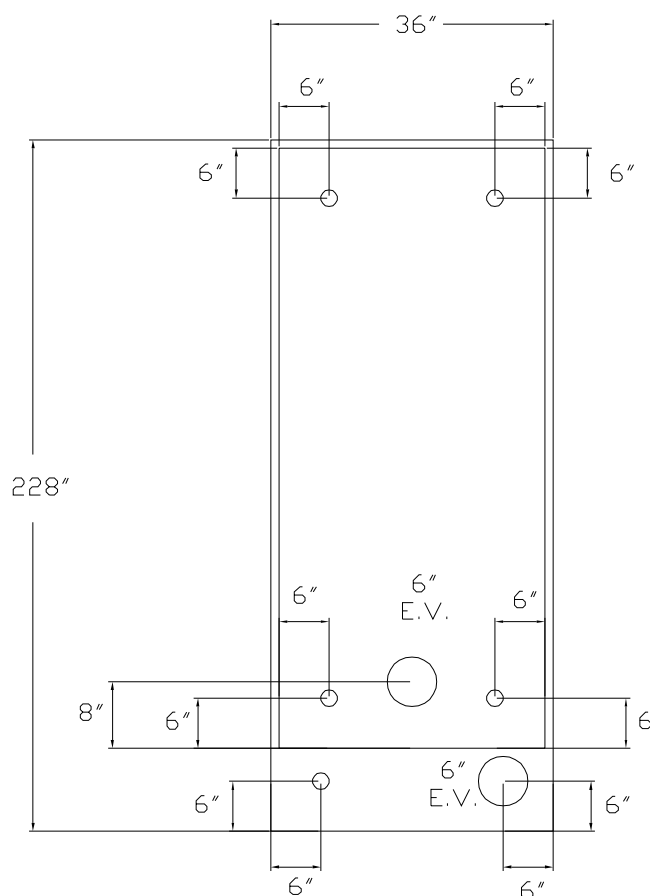
Not drawn to scale

Standard Fittings and Locations for UL-142 listed Turner tanks
Catwalk tank double wall 500 and 1000 gallons
(LCWDW Series)

All fittings are 2" openings except emergency vents which are listed



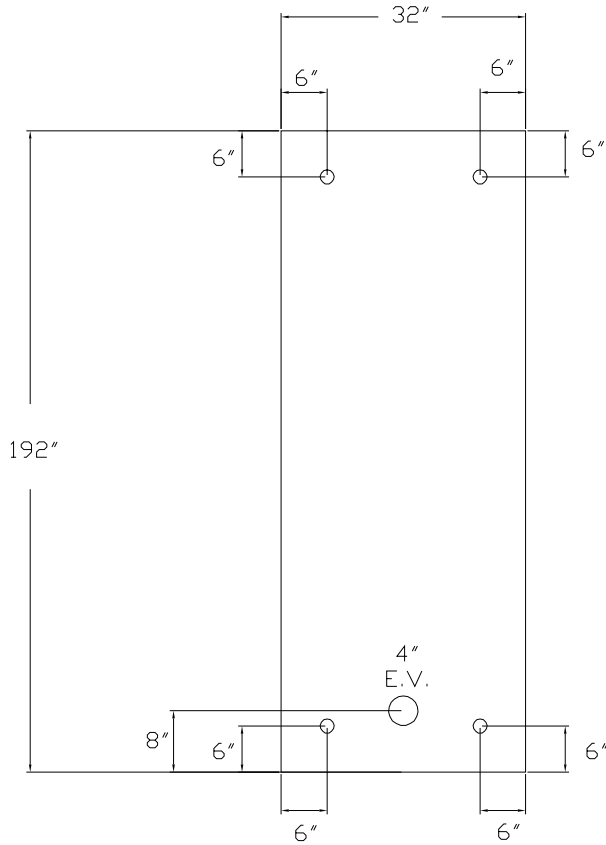
500
Gallons



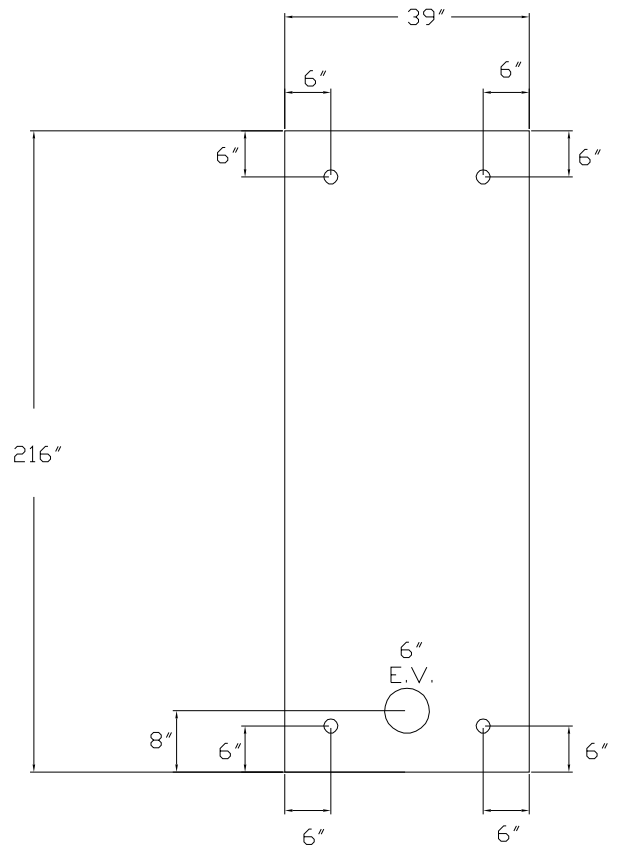
1000
Gallons

**Standard Fittings and Locations for UL-142 listed Turner tanks
Under the Catwalk tank double wall 500 and 1000 gallons
(LC Series)**

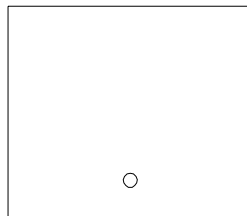
All fittings are 2" openings except emergency vents which are listed



500
Gallons



1000
Gallons

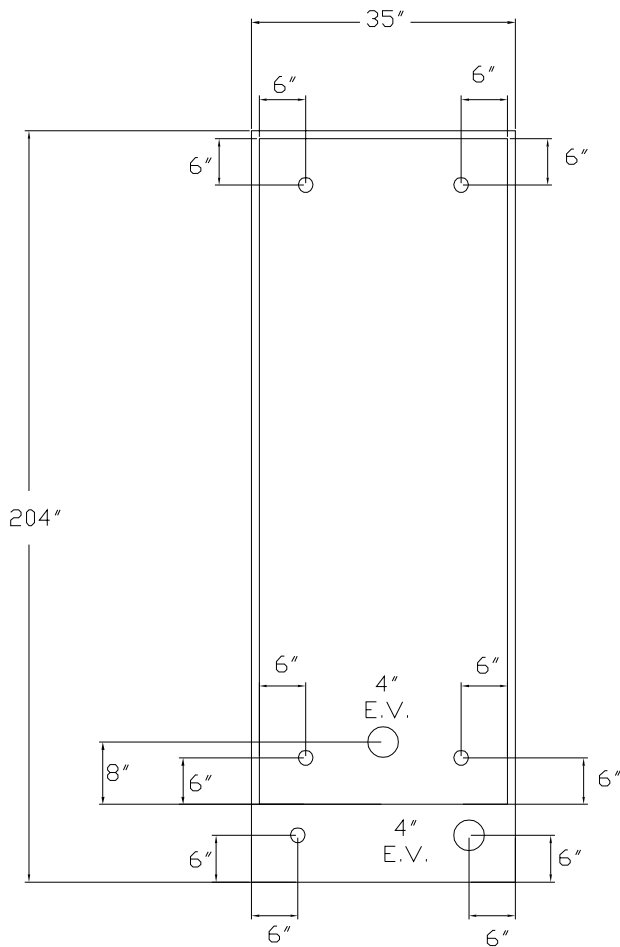


1 1/2" Outlet
Located 1" From Bottom
of Tank To Center
of Outlet

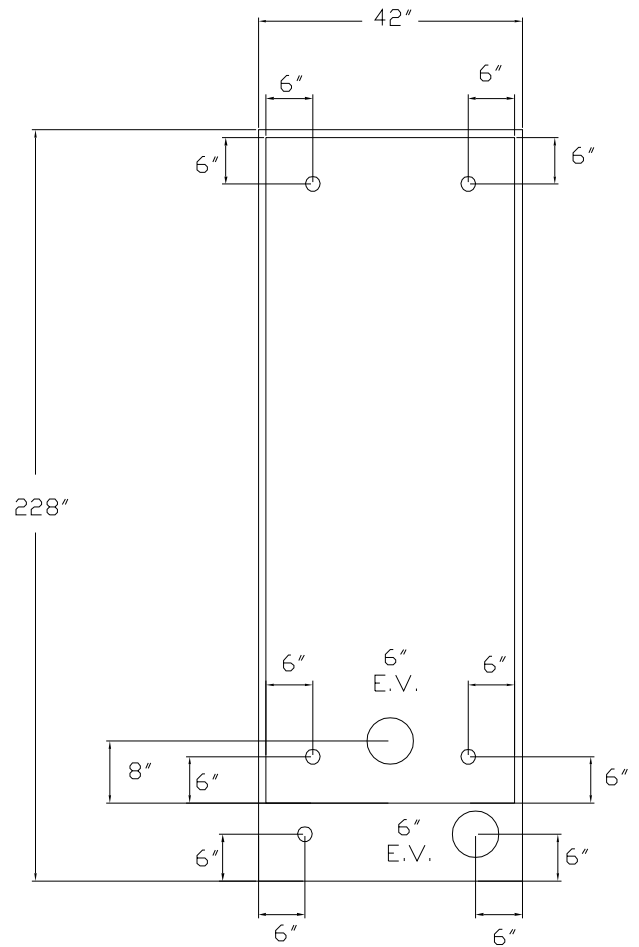
Not drawn to scale

Standard Fittings and Locations for UL-142 listed Turner tanks Under the Catwalk tank double wall 500 and 1000 gallons **(LCDW Series)**

All fittings are 2" openings except emergency vents which are listed



500
Gallons



1000
Gallons