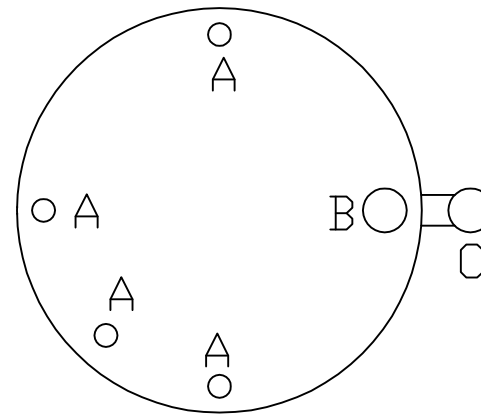
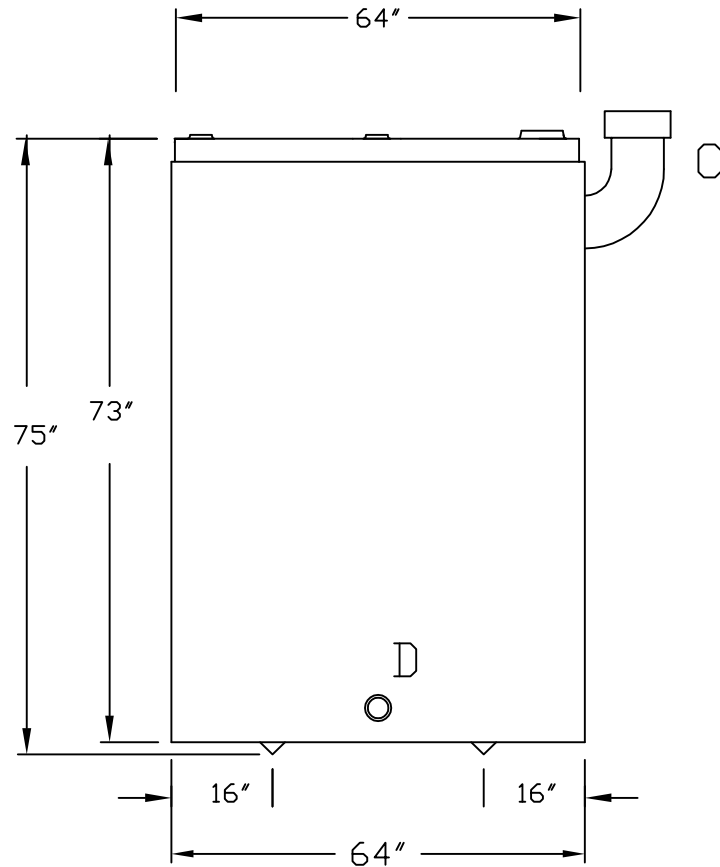


QUAN.	STOCK #	DESCRIPTION	QUAN.	STOCK #	DESCRIPTION	QUAN.	STOCK #	DESCRIPTION	SPECIFICATIONS & CONSTRUCTION INFORMATION
									MODEL: LVDW-1000-10
									DESCRIPTION: ABOVEGROUND, DOUBLE WALL OBROUND STEEL STORAGE TANK
									INNER TANK: 10 GAUGE
									OUTER TANK: 12 GAUGE
									OPENINGS: MINIMUM 4-2" FNPT FLANGE
									1-6" FNPT FLANGE
									1-6" FNPT ELBOW W/PLUG
									1-3/4" FNPT FLANGE W/PLUG
									CONSTRUCTION: WELDED USING UL-142 STANDARDS
									FINISH: SURFACE PREP: SSPC SP-3
									FINISH: RED PRIMER NOTE: FINISH ENAMEL COAT IS OPTIONAL



LEGEND

- A - OPENINGS FOR FILL, GAUGE, AND NORMAL VENT: 2" FNPT FLANGE
- B - OPENINGS FOR INNER TANK EMERGENCY VENT: 6" FNPT FLANGE
- C - OPENING FOR OUTER TANK EMERGENCY VENT: 6" FNPT PIPE ELBOW WITH PLUG
- D - 3/4" INSPECTION FLANGE FOR INTERSTICE WITH STEEL PLUG

GOLDSBORO, NC
800-661-3767

TURNER TANKS: LVDW-1000-10

DWG #: LVDW-1000-10	SCALE: NONE	DATE: 6-01-07	REVISION:	APPROVED:	APPROVAL DATE:
---------------------	-------------	---------------	-----------	-----------	----------------