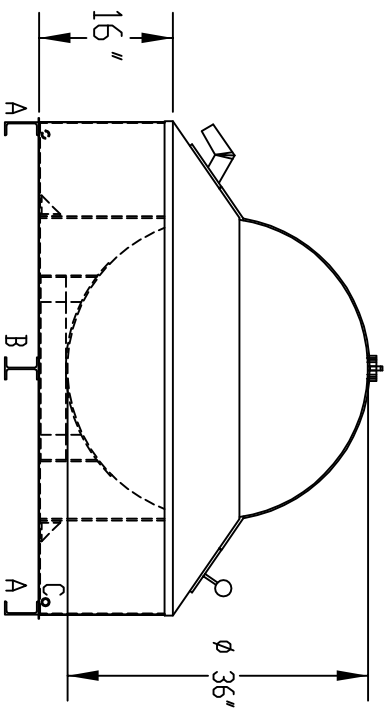


BRIEF LEGEND:

- A-(4) 4" CHANNEL
- B-(2) 4" I-BEAM
- C-(2) 3/4" FNPT FLANGE
- D-(4) 2" FNPT FLANGE
- E-(1) 3" EVENT FLANGE
- F-(1) LIFTING LUG
- G - (1) LIQUID INDICATOR FLOAT
- H - (1) CONTAINMENT VENTING

SOME DETAILS ARE OMITTED FOR CLARITY OF RAINSHIELD

FOR FULL CONSTRUCTION DETAILS AND SPACING OF 'A' & 'B', REF. DRAWING DIKE INFORMATION



REF. TO: STANDARD DIKES
DATE: 06/23/08

DWG BY: AH

TITLE: **SC-270-12P W/RS**

SCALE: 1:16

DESCRIPTION: SINGLE WALL, STEEL ABOVEGROUND TANK SECURED WITH ANTI-FLOTATION STRAPS IN A STEEL DIKE; A REMOVABLE RAINSHIELD IS OPTIONAL

CONSTRUCTION: TANK AND DIKE ARE OF WELDED CONSTRUCTION. OPTIONAL RAINSHIELD IS MECHANICALLY ATTACHED TO THE DIKE.

FINISH: SURFACE PREP IS SSPC-3; UNDERCOAT IS AN INDUSTRIAL PRIMER AND FINISH COAT IS AN INDUSTRIAL ENAMEL.

CAPACITY: 290 GALLONS

APPROX. WEIGHT: 680 lbs ± 5%



1500 HWY 117 S.
GOLDSBORO, NC 27530
P: (919) 734-8328
F: (919) 736-4550