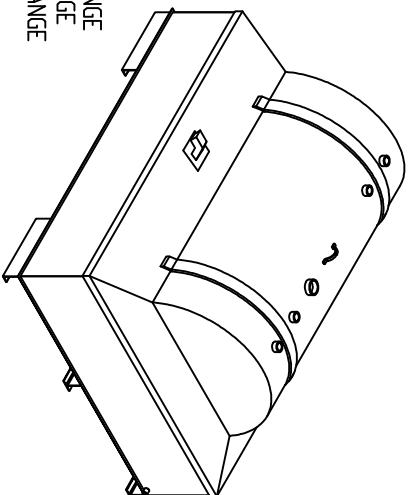
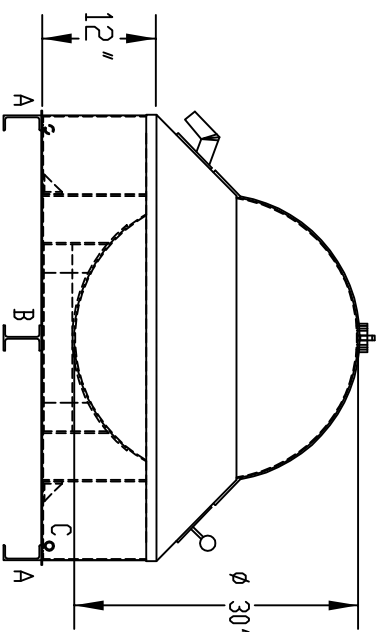
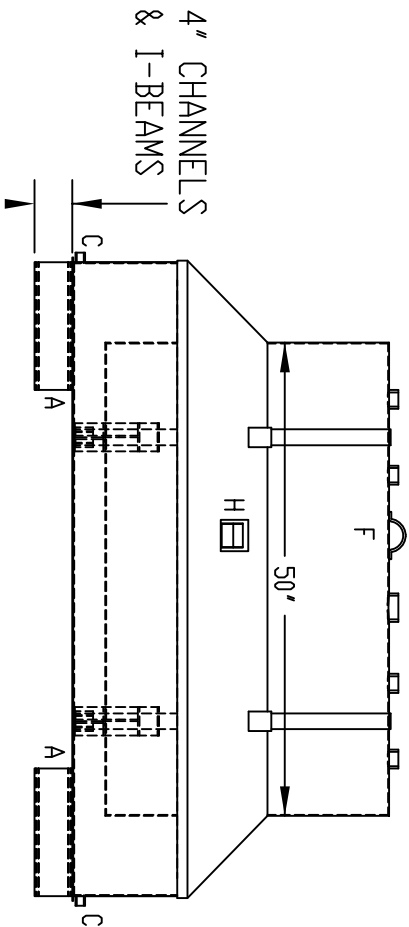


- BRIEF LEGEND:**
- A-(4) 4" CHANNEL
 - B-(2) 4" I-BEAM
 - C-(2) 3/4" FNPT FLANGE
 - D-(4) 2" FNPT FLANGE
 - E-(1) 3" EVENT FLANGE
 - F-(1) LIFTING LUG
 - G - (1) LIQUID INDICATOR FLDAT
 - H - (1) CONTAINMENT VENTING



SOME DETAILS ARE OMITTED FOR CLARITY OF RAINSHIELD

FOR FULL CONSTRUCTION DETAILS AND SPACING OF "A" & "B", REF. DRAWING DIKE INFORMATION



REF. TO: STANDARD DIKES
DATE: 06/23/08

DWG BY: AH

SCALE: 1/16

TITLE: SC-150-12P W RS



Underwriters Laboratories Inc.
LISTED

TURNER TANKS

1500 HWY 117 S.
GOLDSBORO, NC 27530
P: (919) 734 - 8328
F: (919) 736 - 4550

DESCRIPTION:

SINGLE WALL, STEEL ABOVEGROUND TANK SECURED WITH ANTI-FLOTATION STRAPS IN A STEEL DIKE, A REMOVABLE RAINSHIELD IS OPTIONAL.

CONSTRUCTION:

12GA TANK AND 10 GA DIKE ARE OF WELDED CONSTRUCTION. OPTIONAL GALVANNEAL RAINSHIELD IS MECHANICALLY ATTACHED TO THE DIKE.

FINISH:

SURFACE PREP IS SSPC-3; UNDERCOAT IS AN INDUSTRIAL PRIMER AND FINISH COAT IS AN INDUSTRIAL ENAMEL.

CAPACITY:

164 GALLONS

APPROX. WEIGHT: 510 LBS ± 5%