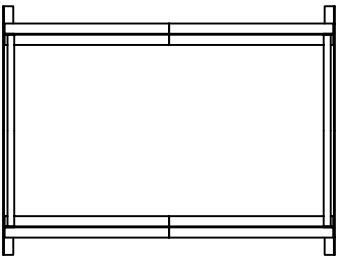
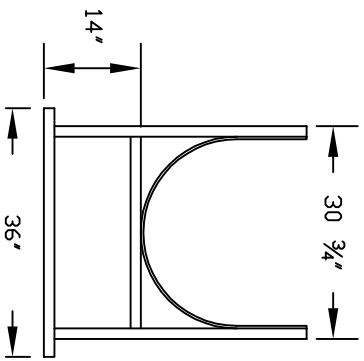


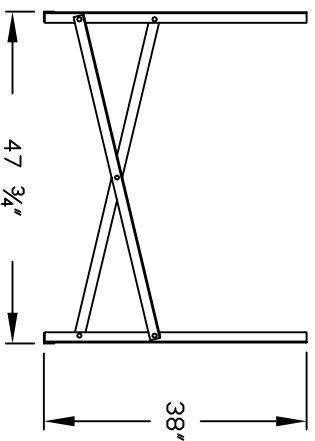
STAND COMES WITH COMPLETE AND EASY TO READ INSTRUCTIONS



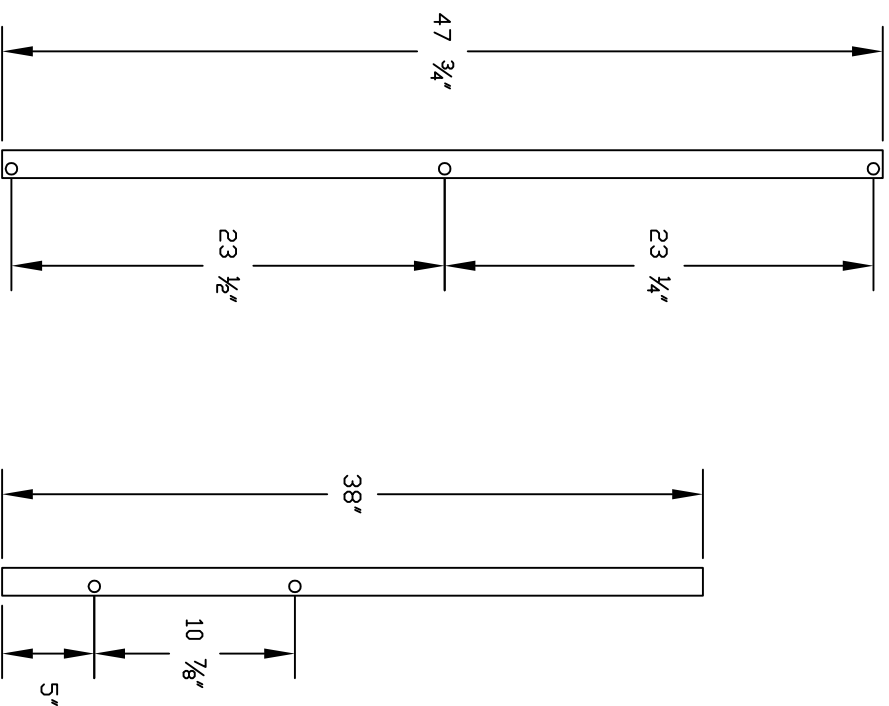
BOLTED IN (5) LOCATIONS ON EACH SIDE OF STAND W/ 3/4" HEX BOLTS



FRONT AND BACK ENDS OF ASSEMBLY



SIDE CROSS MEMBERS FOR CONNECTING FRONT AND BACK PCS



Ends Connected By Two Opposing Braces Joined Together By (5) 3/4" Hex Stainless Steel Nuts & Bolts On Sides & Middle, Making (10) Sets Of Nuts & Bolts Total. Complete Package Includes (2) End Pieces, (4) Braces & (10) Sets Of Nuts & Bolts.

REF. TO: STANDARD DRAWING
DATE: 05/30/08

DWG BY: AH

TITLE:

OS-27-14 TANK STAND

APPROX. WEIGHT: 50 lbs ± 5%



1500 HWY 117 S.
GOLDSBORO, NC 27530
P: (919) 734 - 8828
F: (919) 736 - 4550