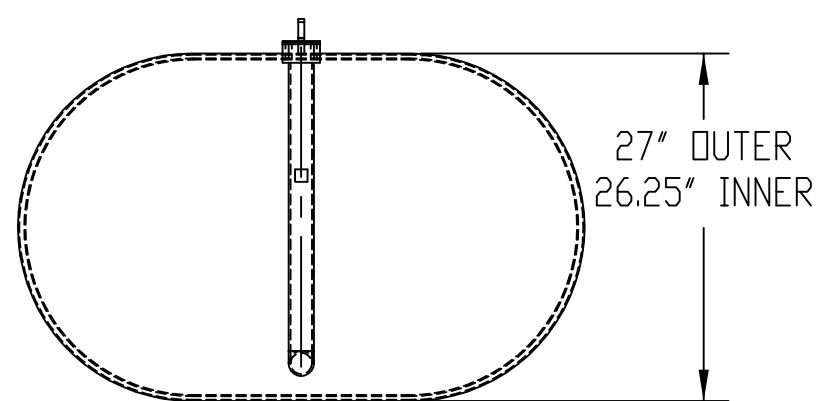
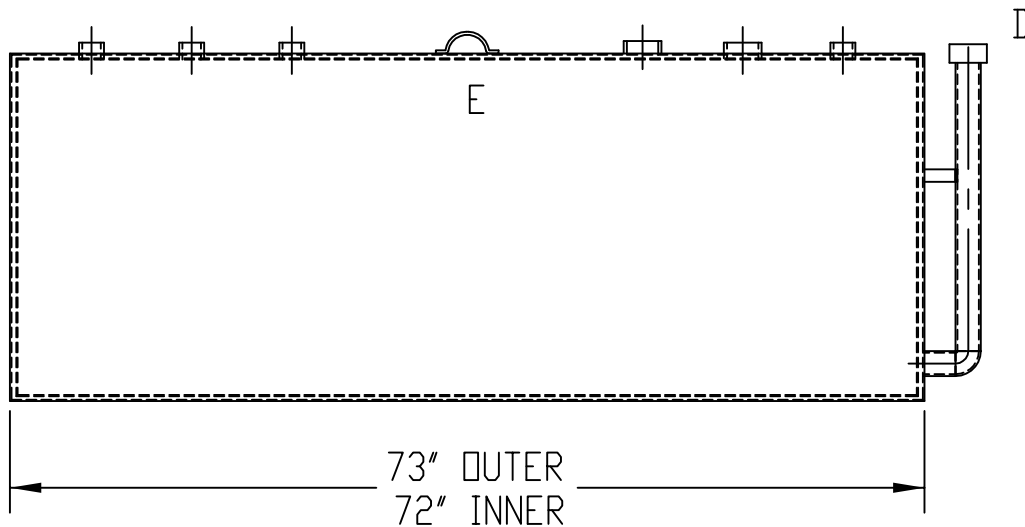


45" OUTER
44" INNER



REF. TO: STANDARD TANK
DATE: 05/20/08

DWG BY: AH

TITLE: **ABDW-330-12P**

SCALE: 1:24

DESCRIPTION: ABOVE GROUND, DOUBLE WALL
12 GA. INNER/12 GA. OUTER
STEEL STORAGE TANK

CAPACITY: 319 GALLONS

FINISH: SURFACE PREP: SPCC SP-3; ONE
SPRAY COAT OF PRIMER; OPT FINISH
APPROX. WEIGHT: 630 lbs ± 5%



Underwriters
Laboratories Inc.
LISTED ®

LEGEND: ID - (QTY. OF OPENINGS) PART

A - (4) 2" NPT CPL
B - (1) 3" INNER E.VENT CPL
C - (1) 3" OUTER E.VENT FLANGE
D - (1) 2" INSPECTION PIPE
E - (1) LIFTING LUG



1500 HWY 117 S.
GOLDSBORO, NC 27530
P: (919) 734 - 8328
F: (919) 736 - 4550

SIGNED APPROVAL: