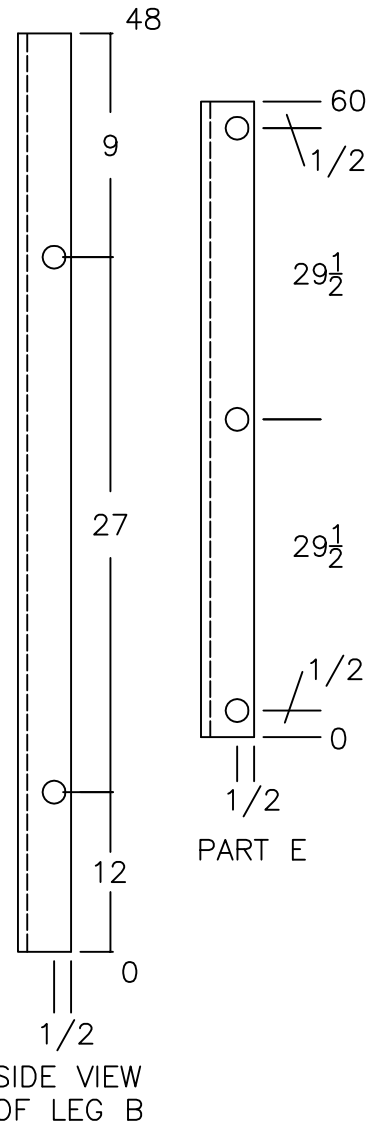
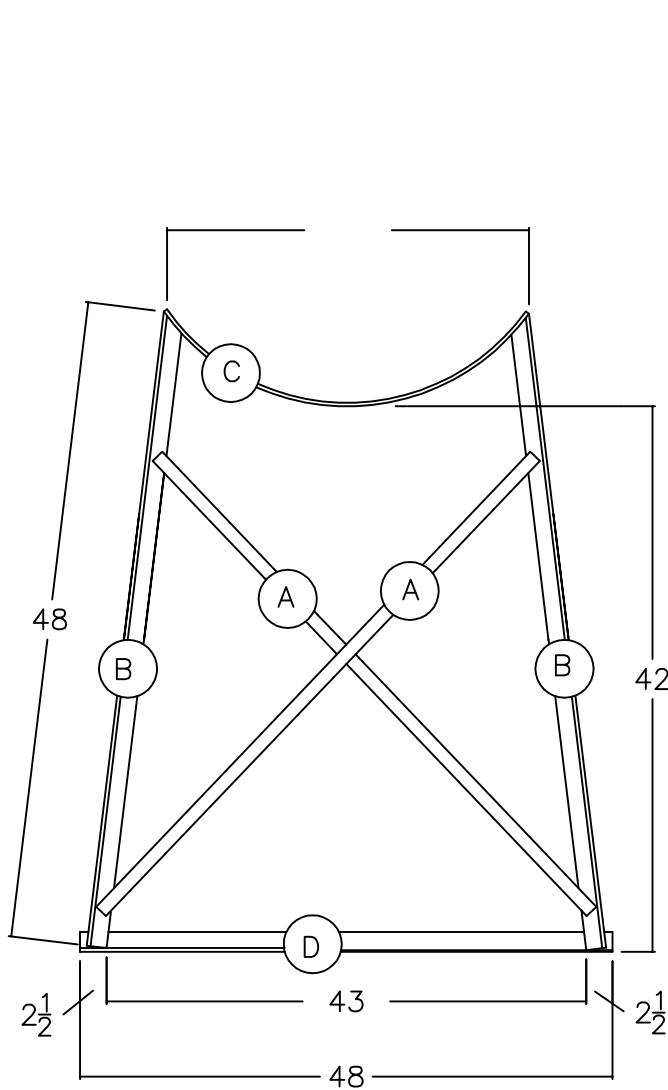


# 550 GALLON ROUND TANK STAND 46X42

ALL HOLES 9/32" DIAMETER  
DIMENSIONS IN INCHES



END FRAME IS WELDED ASSEMBLY

ITEM	QUAN	DESCRIPTION
A	2	1/8 X 1 X 48 FLAT BAR
B	2	3/16 X 2 X 2 X 48 ANGLE
C	1	3/16 X 2 X 40 FLAT BAR
D	1	3/16 X 2 X 2 X 48 ANGLE
E	2	1/8 X 1 X 1 X 60 ANGLE