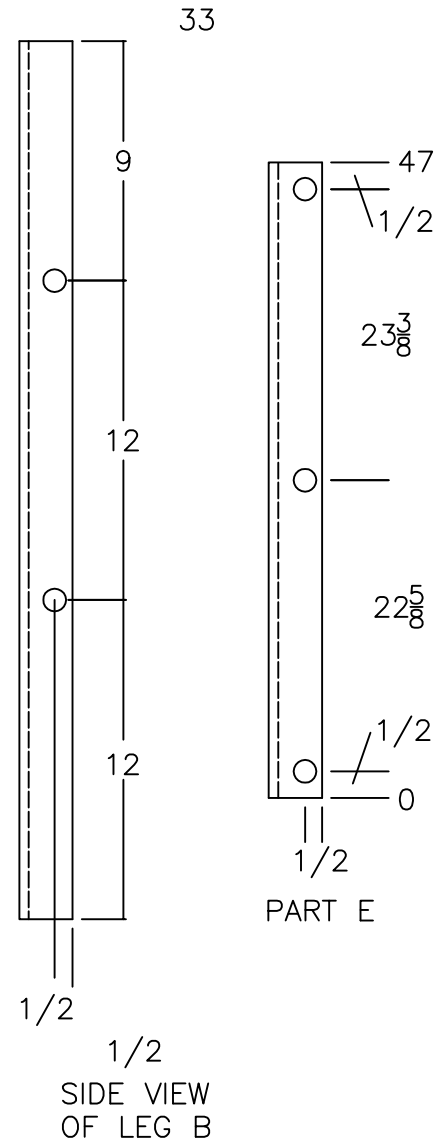
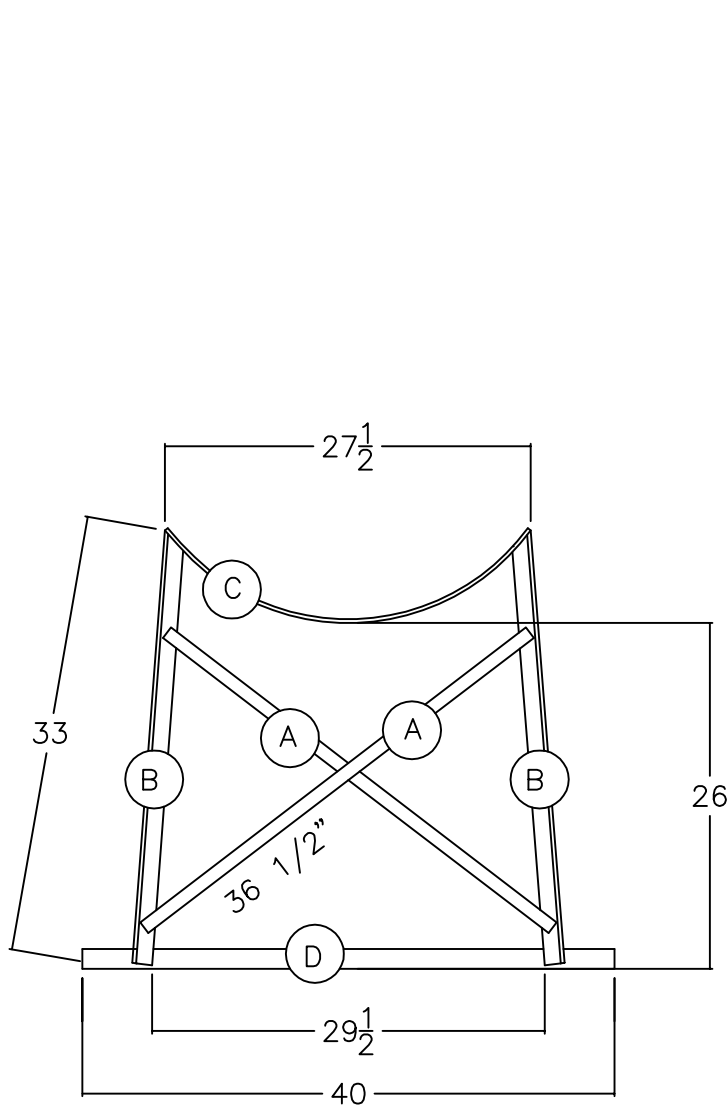


150 GALLON ROUND TANK STAND 30X42

ALL HOLES 9/32" DIAMETER
DIMENSIONS IN INCHES



END FRAME IS WELDED ASSEMBLY

ITEM QUAN DESCRIPTION

ITEM	QUAN	DESCRIPTION
A	4	1/8 X 1 X 36 1/2 FLAT BAR
B	4	1/8 X 1 1/2 X 1 1/2 X 33 ANGLE
C	2	1/8 X 1 X 32 3/4 FLAT BAR
D	2	1/8 X 1 1/2 X 1 1/2 X 40 ANGLE
E	4	1/8 X 1 X 1 X 47 ANGLE