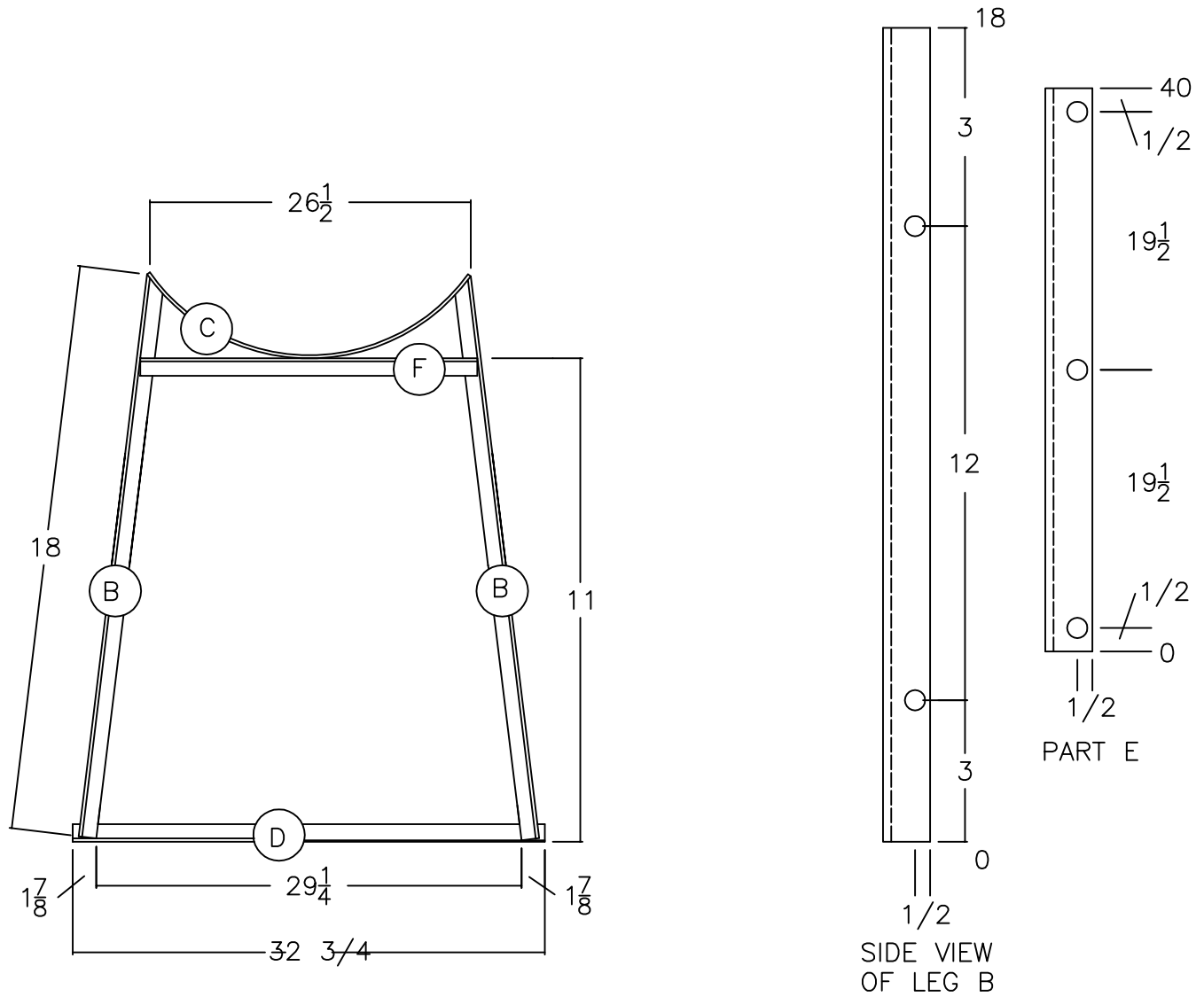


# 150 GALLON ROUND TANK STAND 30X14

ALL HOLES 9/32" DIAMETER  
DIMENSIONS IN INCHES



ITEM QUAN DESCRIPTION

A	4	1 X 1 X 1/8 X 26 1/2 ANGLE
B	4	1/8 X 1 1/2 X 1 1/2 X 18 ANGLE
C	2	1/8 X 1 X 29 FLAT BAR
D	2	1/8 X 1 1/2 X 1 1/2 X 32 3/4 ANGLE
E	4	1/8 X 1 X 1 X 40 ANGLE
F	2	1/8 X 1 1/2 X 1 1/2 X 26 1/4 ANGLE